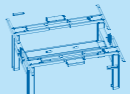


# CONTENTS



*Classic Series*

Dual Motor Series	05
Single Motor Series	07
Handle Cranked Standing Desk	09



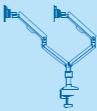
*Projects Series*

Dual Motor With Tilt Table Top	13
One Leg Standing Desk	15
Three Legs Standing Desk	17
Four Legs Standing Desk	21
Face To Face Workstation Frame	23



*Desk Riser Series*

Electric Desk Riser	27
Pneumatic Desk Riser	30



*Monitor Arm Series*

Monitor Arm	35
-------------	----



*Accessories*

Beam	43
Smart Pad	45
Metal Cable Tray	45
Snake Cable Tray	45
CPU Holder	45
Handset	46
Control Box	46
Columns	47

**01**  
*Classic Series*

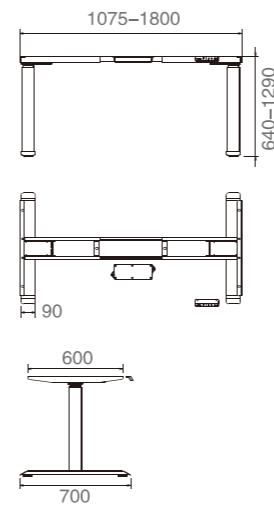









## AK2YJYT-YDZF3

Dual Motor Series



**FINISH:**  
WHITE GREY BLACK



 <b>Leg Orientation:</b> Square / Rectangle / Round	 <b>Height Range:</b> 640~1290mm / 3 stage 690~1150mm / 2 stage	 <b>Speed:</b> 40mm/s (3 stage) 32mm/s (2 stage)
 <b>Foot Length:</b> 700mm	 <b>Frame Size:</b> 1075~1800mm	 <b>Max Loading:</b> 120kg
 <b>Bracket:</b> 600mm		

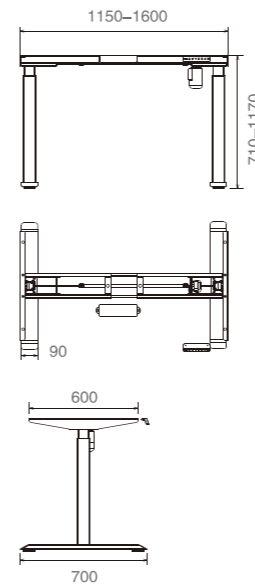











**AK2YJYT-YD-A-F**  
Single Motor Series



**FINISH:**  
WHITE GREY BLACK



 <b>Leg Orientation:</b> Square / Rectangle	 <b>Height Range:</b> 710~1170mm / square leg 710~1120mm / upside-down rectangular leg	 <b>Frame Size:</b> 1150~1600mm
 <b>Foot Length:</b> 700mm	 <b>Speed:</b> 25mm/s	 <b>Max Loading:</b> 100kg
 <b>Bracket:</b> 600mm		

Model AK2YJYT-Y-A-F

Model AK2YJYT-Y-AJ










**SINGLE  
MOTOR SERIES**



### AK2YJHT-AJ-E

Handle Cranked Standing Desk

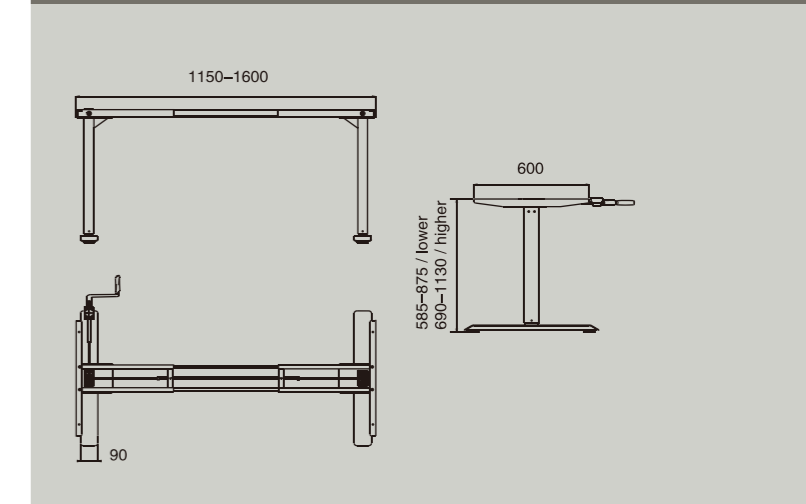
-  **Leg Orientation:** Rectangle
-  **Frame Size:** 1150~1600mm
-  **Bracket:** 600mm
-  **Speed:** 6.12mm/r
-  **Height Range:** 690~1130mm / higher  
585~875mm / lower
-  **Foot Length:** 700mm
-  **Max Loading:** 80kg

Model AK2YJHT-A-E



**FINISH:**  
WHITE GREY BLACK

# Handle Cranked Standing Desk


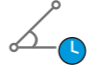









**02**  
*Projects Series*

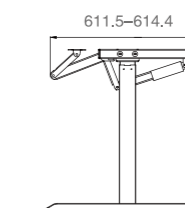
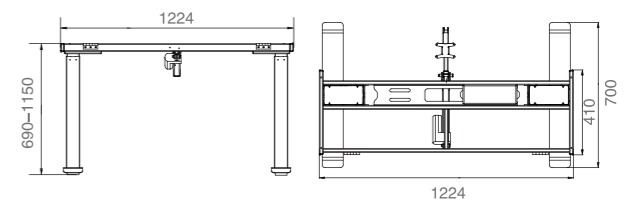


Projects Series  
**DUAL MOTOR  
 WITH TILT  
 TABLE TOP**  
 AK2QX-ZF2



-  Tilt Angle **0~40°**
-  Time **10s**
-  Max. Load when tilt **25kg**

-  Height Range: **690~1150mm**
-  Frame Size: **1224mm**
-  Bracket: **410mm**
-  Foot Length: **700mm**
-  Speed: **32mm/s**
-  Max Loading: **120kg**



**FINISH:**  
 WHITE GREY BLACK

# PROJECTS SERIES







## AK1E-YZF3

One Leg Standing Desk

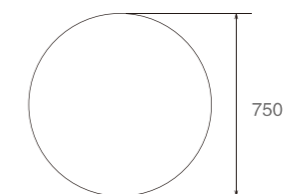
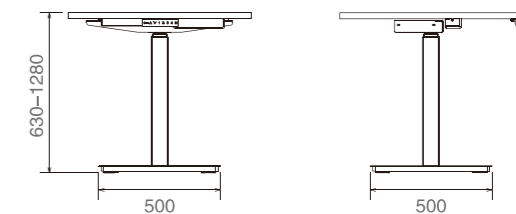


**FINISH:**  
WHITE GREY BLACK

 <b>Leg Orientation:</b>	 <b>Height Range:</b>
Square	630~1280mm

 <b>Frame Size:</b>	 <b>Bracket:</b>
500*500mm	600mm

 <b>Speed:</b>	 <b>Max Loading:</b>
45mm/s	60kg







Projects Series

# THREE LEGS STANDING DESK

Leg Orientation: Square / Rectangle / Round

Height Range: 640~1290mm

Bracket: 600mm / 900mm (180°)

Foot Length: 700mm / 900mm (180°)

Speed: 40mm/s

Max Loading: 150kg

Frame Size:

**AK3YJYT-YDZF3(90° )**  
1075~1800mm / Front 1070~1795mm / Side

**(AK3YJRT-ZY3(120° ))\*3**  
1100~1700mm

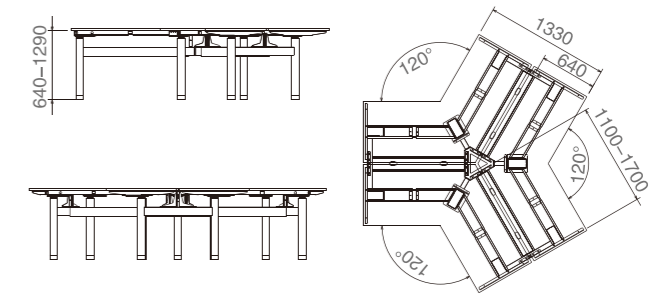
**AK3YJRT-ZF3(180° )**  
2000~3000mm



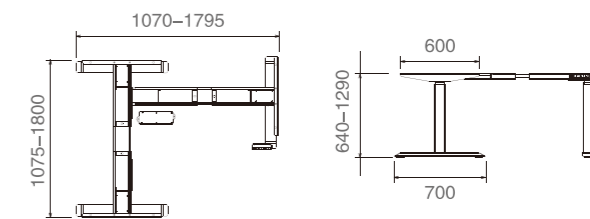
FINISH:  
WHITE GREY BLACK



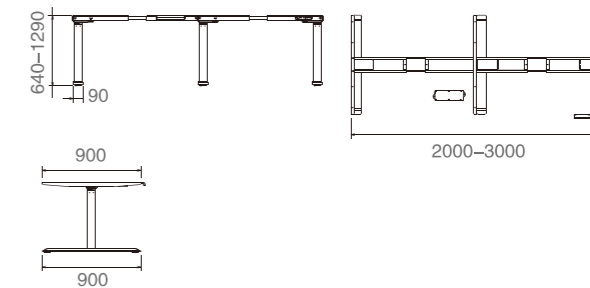
**(AK3YJRT-ZY3(120° ))\*3**



**AK3YJYT-YDZF3(90° )**



**AK3YJRT-ZF3(180° )**



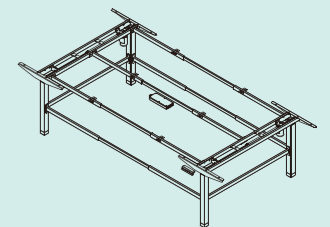
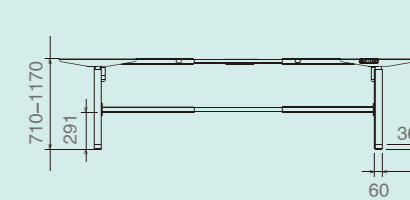
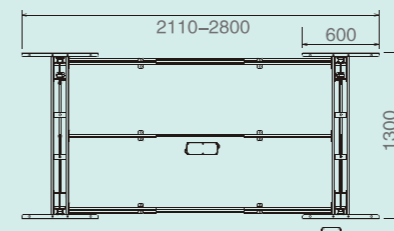
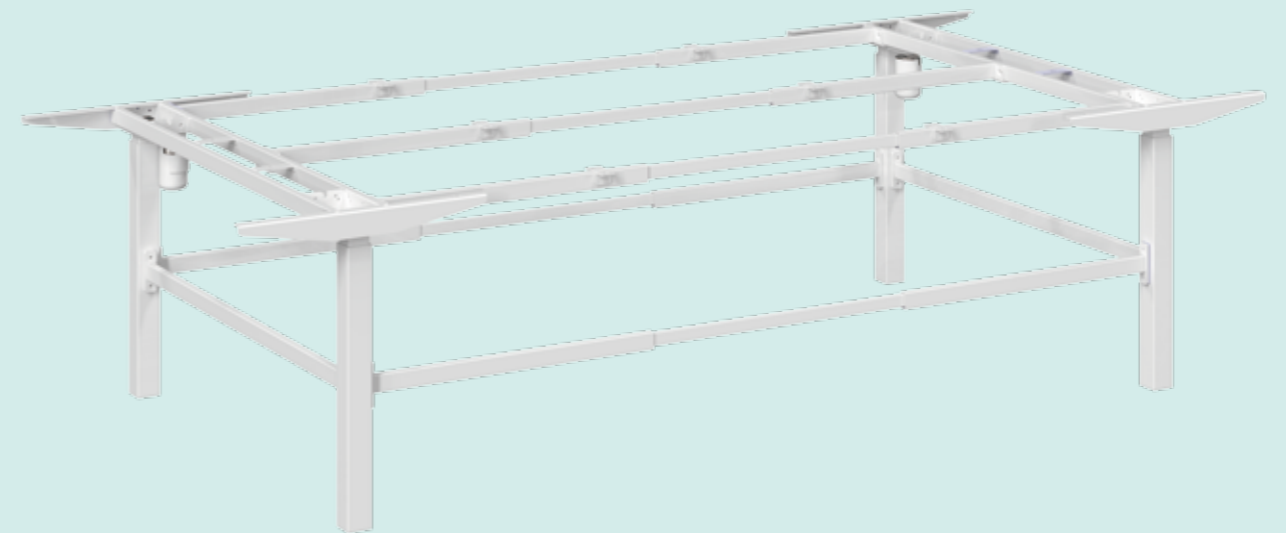


Projects Series  
**FOUR LEGS  
 STANDING  
 DESK**

**FINISH:**  
 WHITE GREY BLACK

**AK4YJYT-Y-A-F**

<p>☰ <b>Leg Orientation:</b> Square</p>	<p>↑ <b>Height Range:</b> 710~1170mm</p>
<p>▨ <b>Frame Size:</b> 2110~2800mm 1300mm Breadth</p>	<p>↓↑ <b>Bracket:</b> 600mm</p>
<p>⚙️ <b>Speed:</b> 25mm/s</p>	<p>📦 <b>Max Loading:</b> 200kg</p>





Projects Series

# FACE TO FACE WORKSTATION FRAME



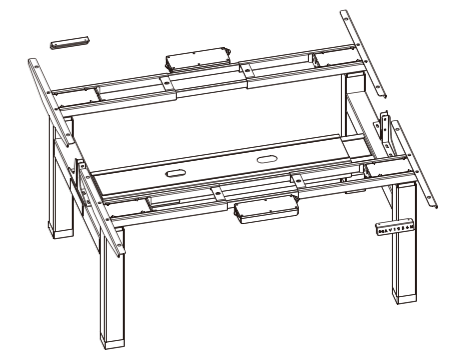
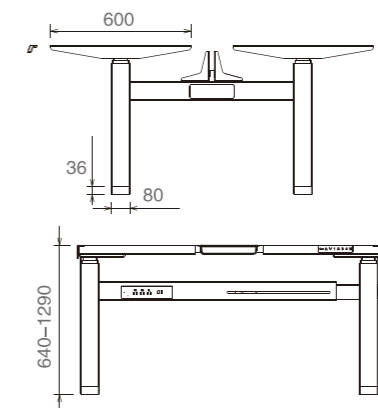
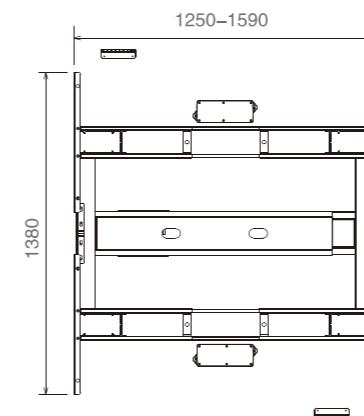
**FINISH:**  
WHITE GREY BLACK

**(AK2YJYT-YDZF3)\*2**

☒	Leg Orientation:	↑	Height Range:
	Square		640~1290mm

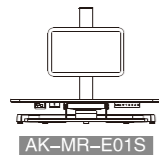
☒	Frame Size:	↓↑	Bracket:
	1250~1590mm		600mm

⚙️	Speed:	📦	Max Loading:
	40mm/s		120kg Each Frame

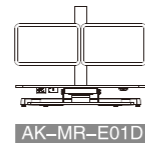


**03**  
*Desk Riser Series*

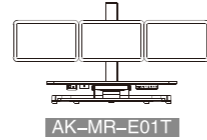
# Desk Riser Series **ELECTRIC DESK RISER**



AK-MR-E01S



AK-MR-E01D



AK-MR-E01T



Monitor Size:

15" (MIN) ~40" (MAX)

15" (MIN) ~31.5" (MAX)

15" (MIN) ~19" (MAX)



Max Loading:

10KG

10KG

8KG



Size: 874\*558mm



Height Range For Keyboard: 30~460mm



Speed: 40mm/s



Height Range For Top: 145~575mm



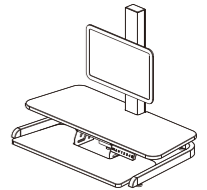
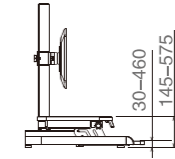
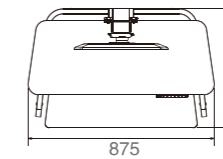
Max Loading: 15kg



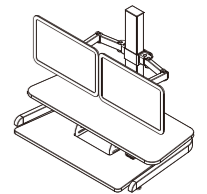
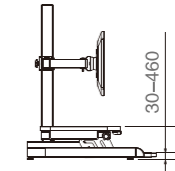
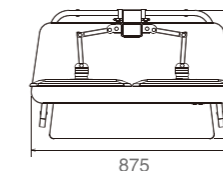
**FINISH:**  
WHITE GREY BLACK



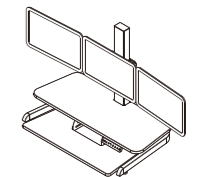
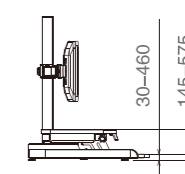
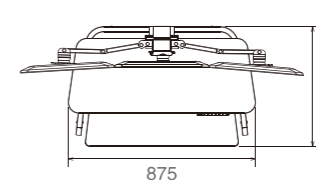
**AK-MR-E01S**



**AK-MR-E01D**



**AK-MR-E01T**



# Desk Riser Series ELECTRIC DESK RISER



FINISH:  
WHITE GREY BLACK

## AK-MR-E03S

	Size:
AK-MR-E03S	915*747mm
AK-MR-E04S	1100*727mm

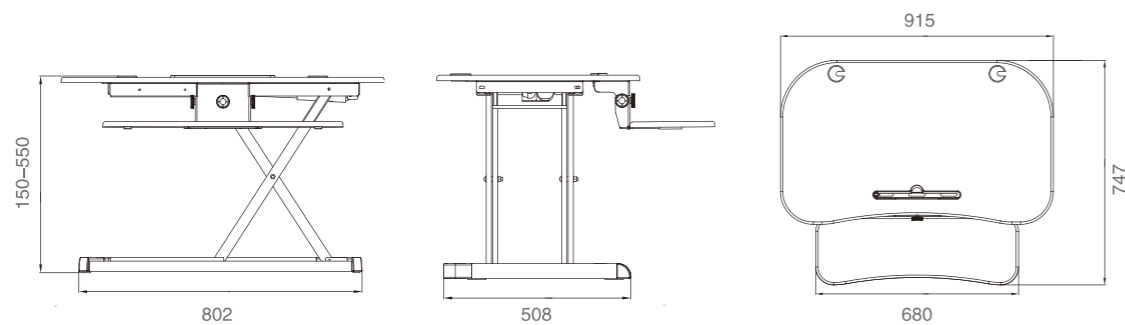
	Height Range For Keyboard:
	20~420mm

	Height Range For Top:		Max Loading:
	150~550mm		20kg

	Speed:
	15mm/s



Model AK-MR-E04S



# Desk Riser Series PNEUMATIC DESK RISER

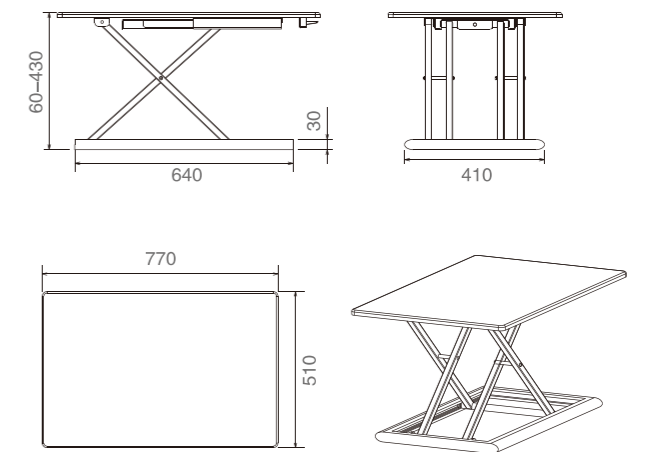
## AK-MR-P08

	Height Range For Top:		Max Loading:
	60~430mm		12kg

	Size:		Adjustable:
	770*510mm		Any height during the range



FINISH:  
WHITE GREY BLACK



**04**  
*Monitor Arm Series*





# Monitor Arm Series SINGLE MONITOR ARM

## AK-MA01S

Monitor Size: 14"~32"    Height Range: 29cm

Rotation Angle: 360°    Material: ABS & Aluminum

Weight Capacity: 4-8kg



fix with tool



tighten with desktop connection



tilt: ± 40°



swivel: 360°



rotation: 360°

# Monitor Arm Series TWO MONITOR ARM

## AK-MA01D

Monitor Size: 14"~32"    Height Range: 29cm

Rotation Angle: 360°    Material: ABS & Aluminum

Weight Capacity: 4-8kg



fix with tool



tighten with desktop connection



tilt: ± 40°



swivel: 360°



rotation: 360°

# Monitor Arm Series SINGLE MONITOR ARM

## AK-MA02S

- Monitor Size: 14"~32"
- Height Range: 24cm
- Rotation Angle: 360°
- Material: ABS & Aluminum
- Weight Capacity: 2-9kg



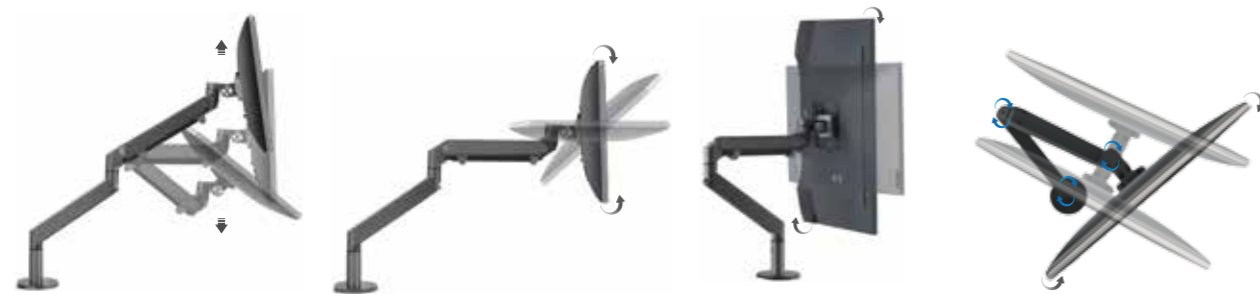
tension adjustment for the up/down arm



tighten with desktop connection



easy installation (with cable management + bottom wire perforation)



lift range: 258-503mm

tilt: +90-50°

swivel: ± 90°

rotation: 360°

# Monitor Arm Series TWO MONITOR ARM

## AK-MA02D

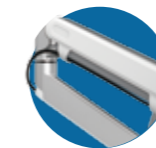
- Monitor Size: 14"~32"
- Height Range: 24cm
- Rotation Angle: 360°
- Material: ABS & Aluminum
- Weight Capacity: 2-9kg



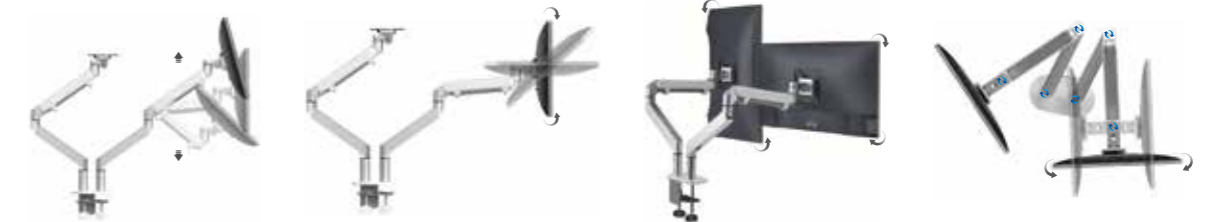
tension adjustment for the up/down arm



tighten with desktop connection



easy installation (with cable management + bottom wire perforation)



lift range: 258-503mm

tilt: +90-50°

swivel: ± 90°

rotation: 360°

# Monitor Arm Series SINGLE MONITOR ARM



tighten with desktop connection

## AK-MA03S

Monitor Size: 14"~32"

Rotation Angle: 360°

Weight Capacity: 2-9kg

Material: ABS & Aluminum

### Monitor Arm Series SINGLE MONITOR ARM



tilt: +90-50°

swivel: ± 90°

rotation: 360°

# Monitor Arm Series TWO MONITOR ARM



tighten with desktop connection

## AK-MA03D

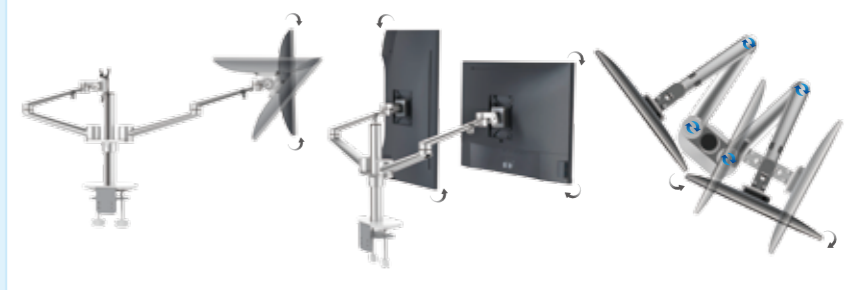
Monitor Size: 14"~32"

Rotation Angle: 360°

Weight Capacity: 2-9kg

Material: ABS & Aluminum

### Monitor Arm Series TWO MONITOR ARM



tilt: +90-50°

swivel: ± 90°

rotation: 360°

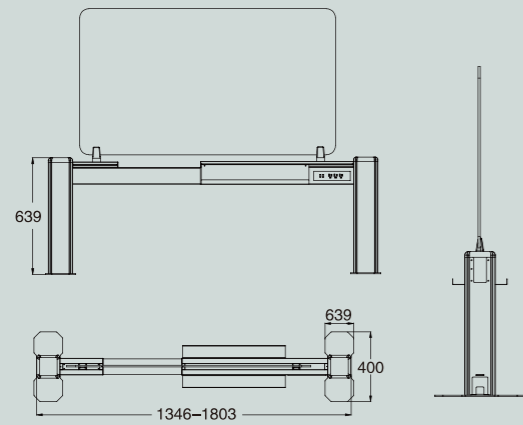
**05**  
*Accessories*

## Accessories

# BEAM

independent power / data beam integrates seamlessly with our height adjustable tables for a total open plan solution.

- ↑ Height Range: 639mm
- ▤ Frame Size: 1346~1803mm
- ≡ Foot Length: 400mm



**FINISH:**  
WHITE GREY BLACK



**A90°**



**A120°**



**A180°**

# SMART PAD

AK-PC01



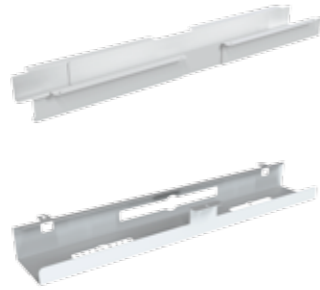
Adjusting Range:  
24mm

Gear:  
4  
(1 2 3adjust 4reset)

Smart Pad Size:  
320\*150\*130mm

Mat Size:  
600\*190\*10mm

# METAL CABLE TRAY



Adjustable Range:  
1000~1680mm

Size:  
800\*125\*75mm

Size:  
220\*80mm

# SNAKE CABLE TRAY



Length:  
1280mm

Size:  
68\*36mm

# CPU HOLDER



Length:  
100~240mm

Height:  
390~610mm

# HANDSET



TDH6

1/2/3/4

Memory Function



Available Buttons: 7



Digit Display



TDH6PR

1/2/3/4

Memory Function



Available Buttons: 7



Digit Display



Bluetooth Adapter



TDH2

1/2/3

Memory Function



Available Buttons: 6



Digit Display



TFH8



Up / Down

# CONTROL BOX

0.1W  
standby power consumption



TC11

Size:  
242\*66\*39mm

Maximum Output:  
29V DC, 2.5A



TC15

Size:  
242\*94\*40mm

Maximum Output:  
32V DC, 6A



TC16

Size:  
261\*94\*38mm

Maximum Output:  
32V DC, 6A

# COLUMNS

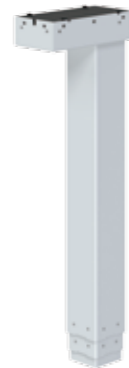


FINISH:  
WHITE GREY BLACK



**ZF3**

75\*75mm  
70\*70mm  
65\*65mm



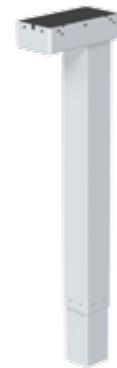
**DF3**

75\*75mm  
70\*70mm  
65\*65mm



**ZF2**

70\*70mm  
65\*65mm



**DF2**

70\*70mm  
65\*65mm



**ZB3**

80\*50mm  
75\*45mm  
70\*40mm



**YZF2**

60\*60mm  
50\*50mm



**YDF2**

60\*60mm  
50\*50mm



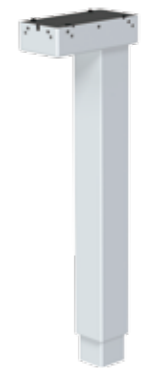
**YDZF3**

80\*80mm  
70\*70mm  
60\*60mm



**YDZF2**

70\*70mm  
60\*60mm



**YDDF2**

70\*70mm  
60\*60mm



**DB3**

80\*50mm  
75\*45mm  
70\*40mm



**ZB2**

80\*50mm  
75\*45mm



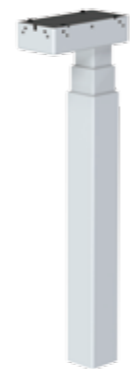
**DB2**

80\*50mm  
75\*45mm



**ZY3**

Φ71mm  
Φ62mm  
Φ54mm



**YZF3**

70\*70mm  
60\*60mm  
50\*50mm



**YZB3**

90\*60mm  
80\*50mm  
70\*40mm



**YZB2**

80\*50mm  
70\*40mm



**YDB2**

80\*50mm  
70\*40mm



**YDZB2**

90\*60mm  
80\*50mm



**YDDB2**

90\*60mm  
80\*50mm