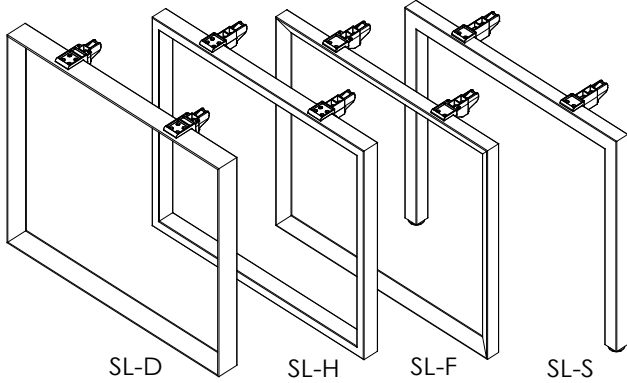


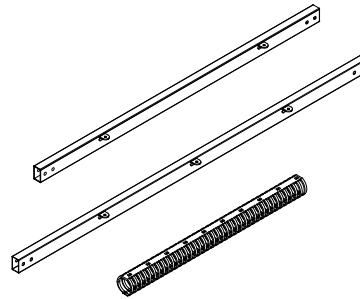
[Leg]



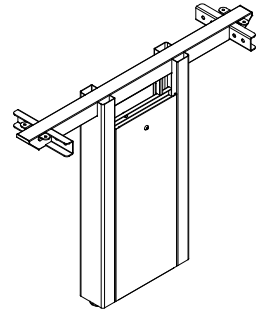
[Connection bar]

&

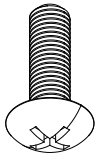
[Keel tray]



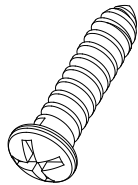
[Mid-leg]



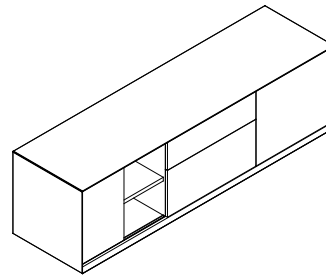
[Cross flat head screw M8*12]



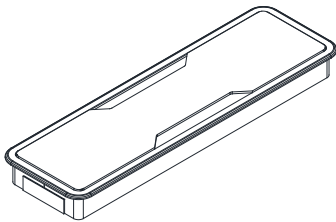
[Cross flat head screw M5*20]



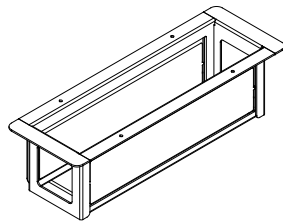
[Side cabinet]



[A wire box]



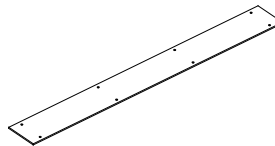
[B wire box]



[Including screw M5*20]



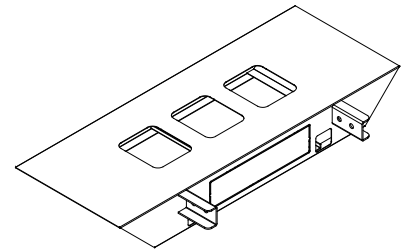
[Connector]



[Including screw M5*20]



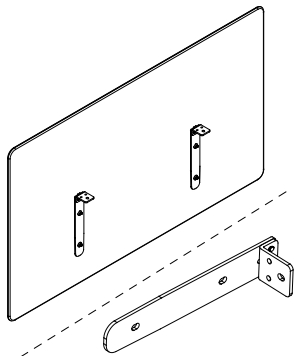
[Supportor box]



[Including screw M5*20]



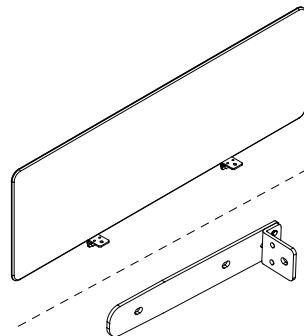
[H750 desk screen]



[Including screw M6*8]



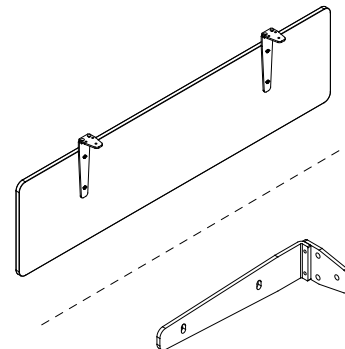
[H350 desk screen]



[Including screw M6*8]



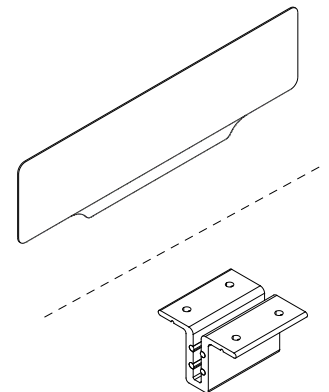
[Modesty panel]



[Including screw M6*8]



[Glass desk screen]



[Including screw M5*20]



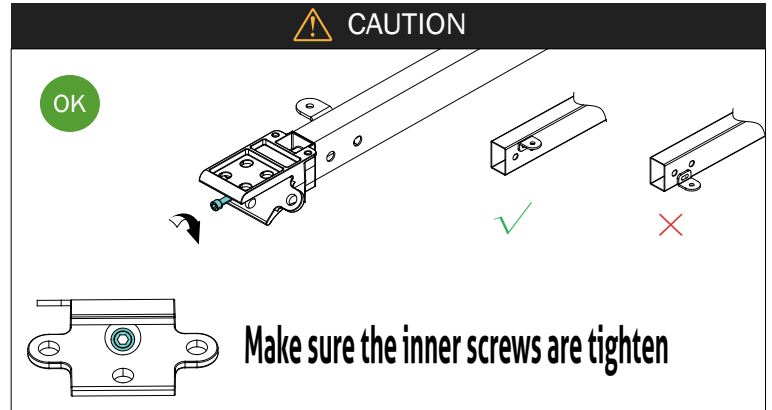
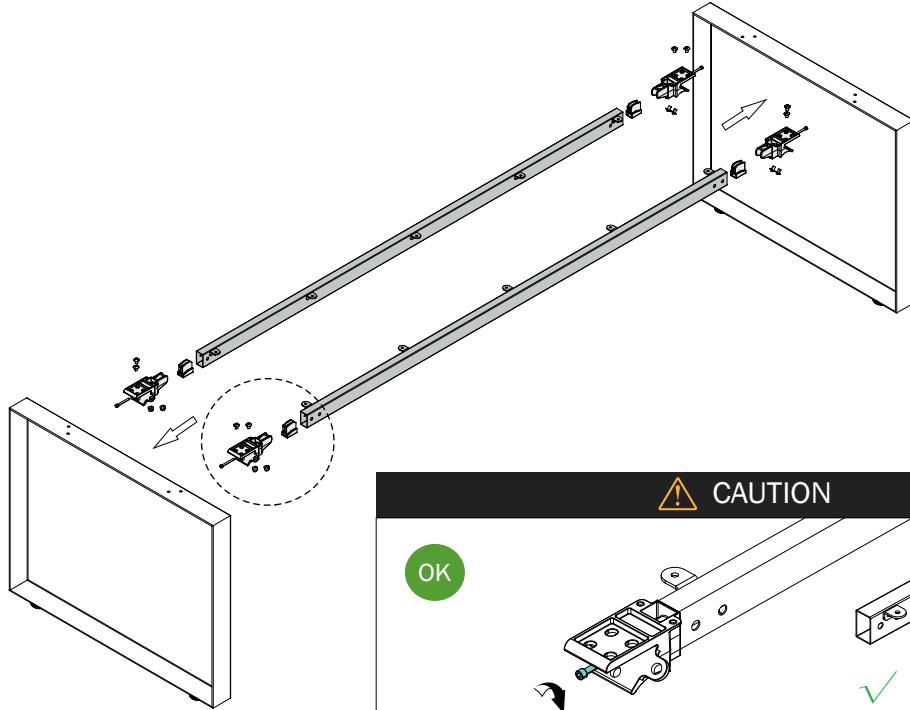
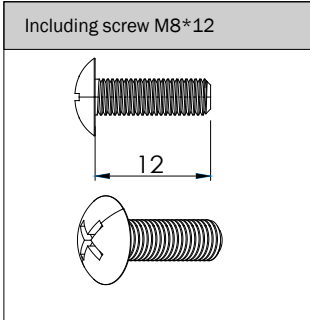
SL

FAST AND CONVENIENT INSTALLATION SYSTEM
Desk system Screen system

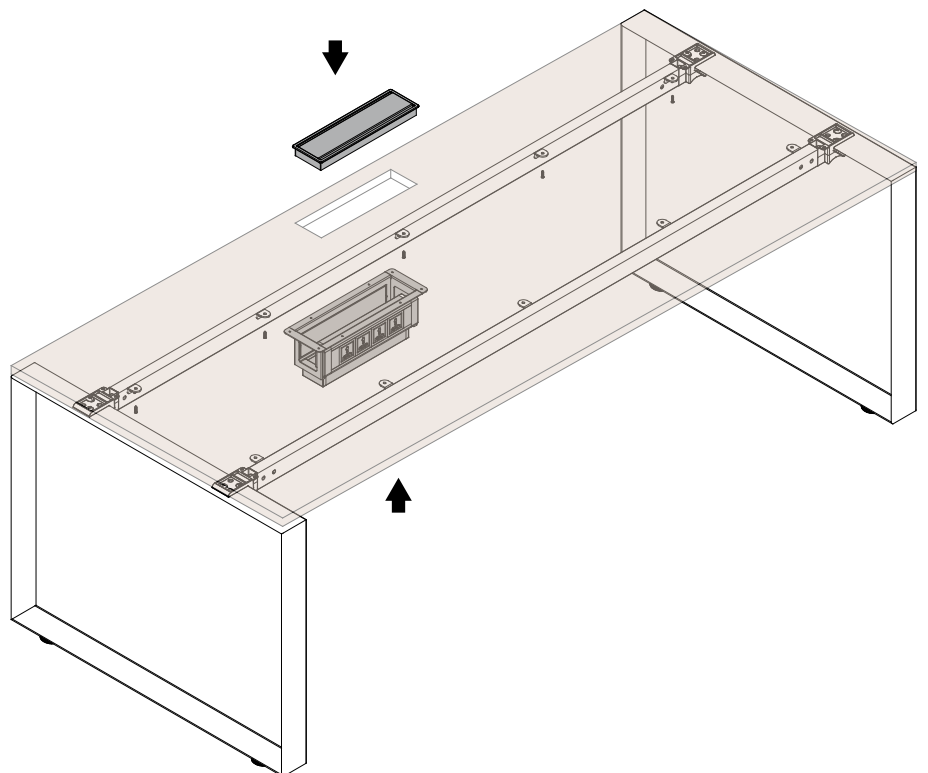
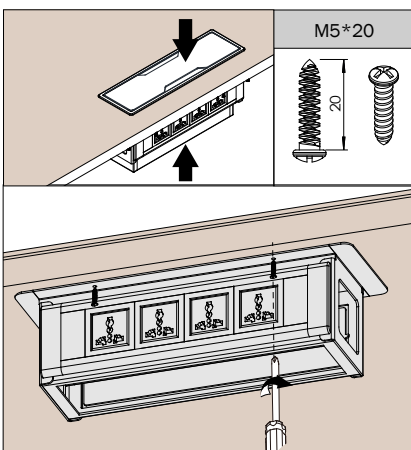
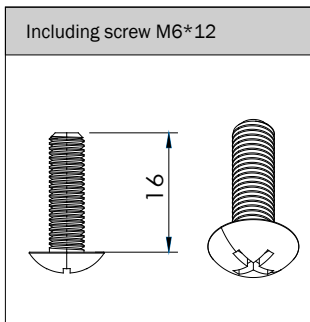
By XINDA

FREESTANDING

Horizontal for frame



Vertical for top

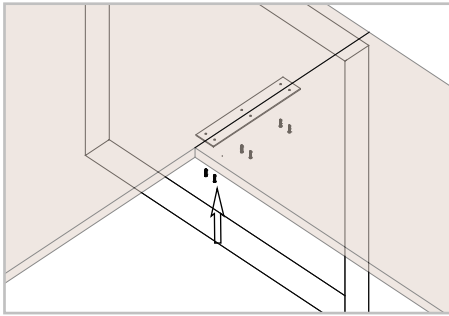
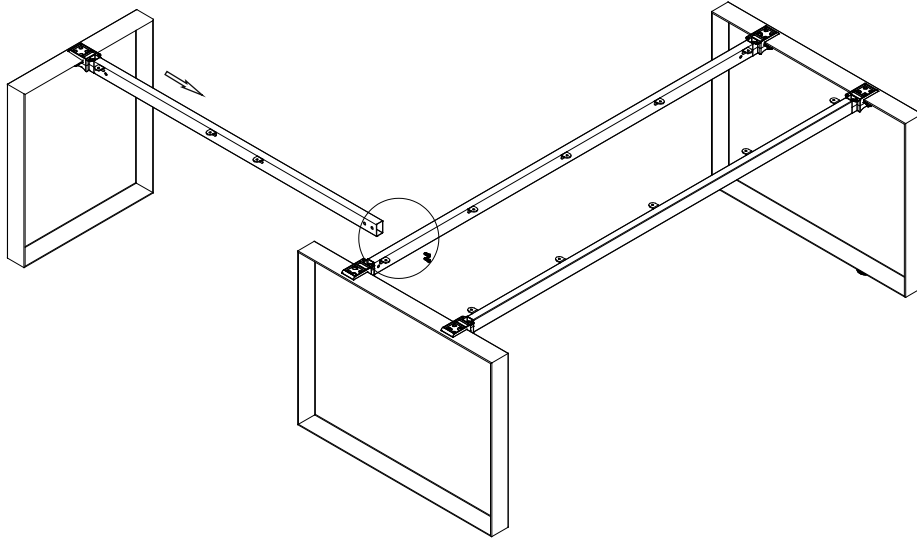


SL

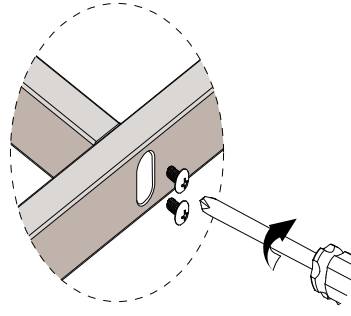
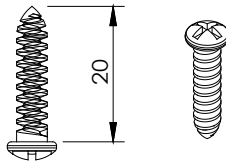
FAST AND CONVENIENT INSTALLATION SYSTEM
Desk system Screen system

By XINDA

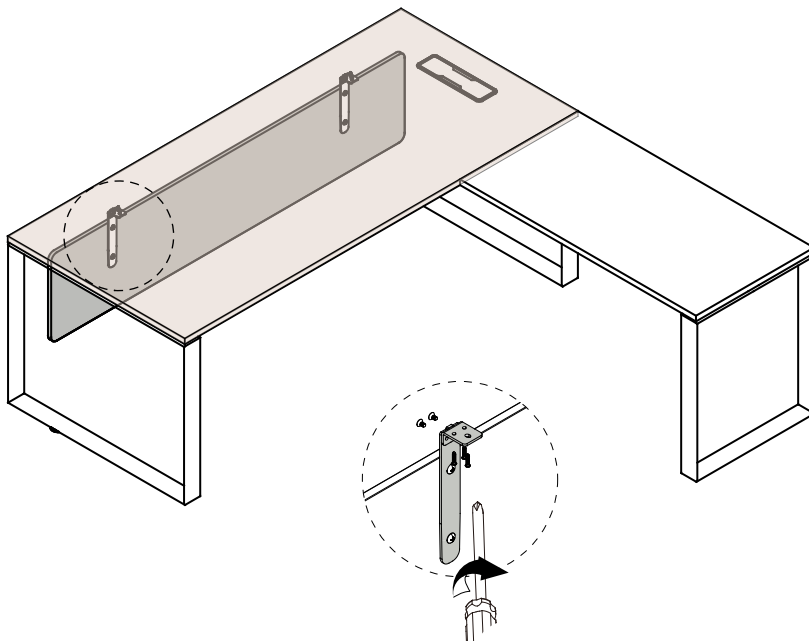
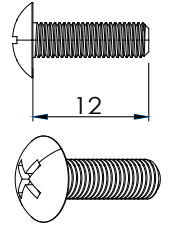
Manager with return table



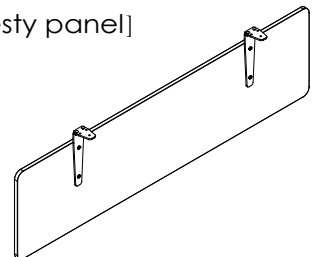
Including screw M5*20



Including screw M6*12



[Modesty panel]



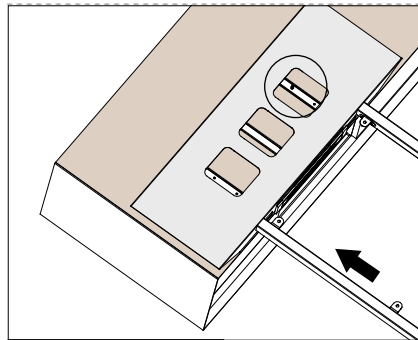
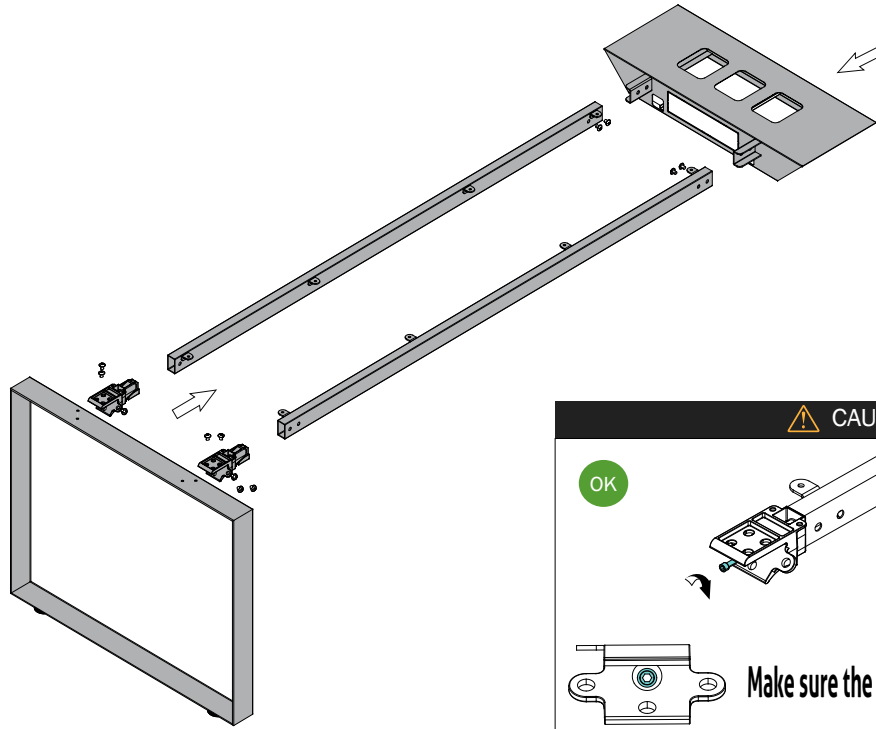
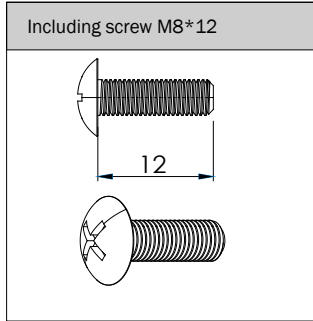
SL

FAST AND CONVENIENT INSTALLATION SYSTEM
Desk system Screen system

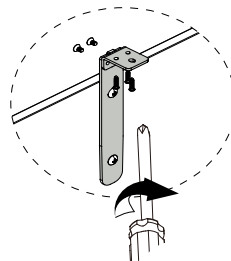
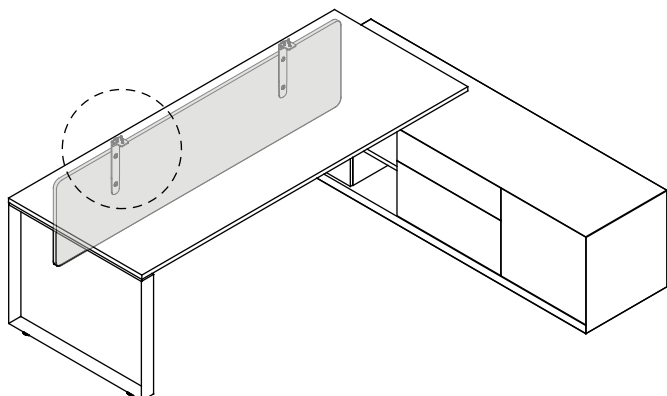
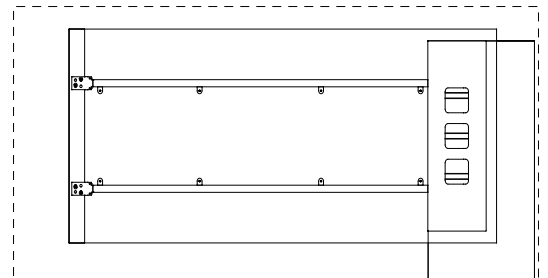
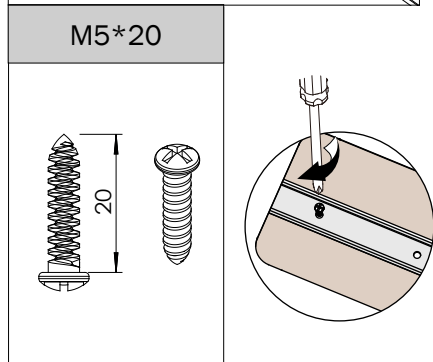
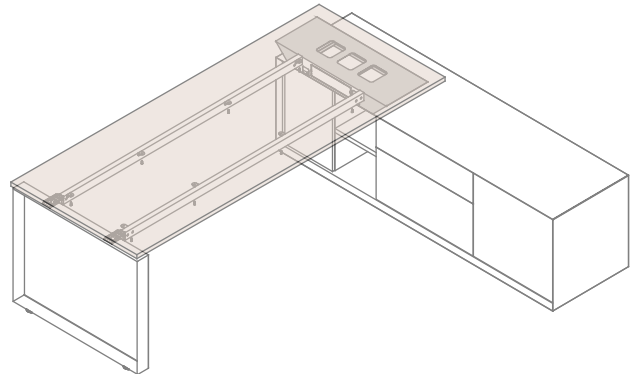
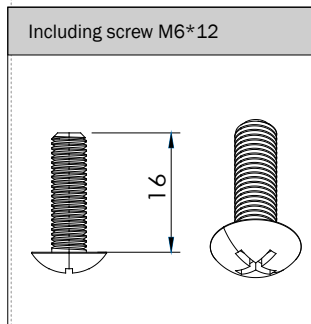
By XINDA

Manager with return table

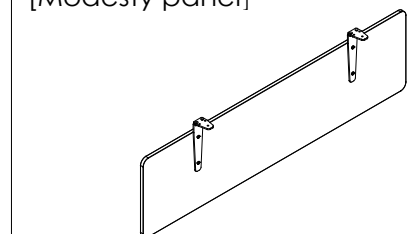
Horizontal for frame



Vertical for top



[Modesty panel]



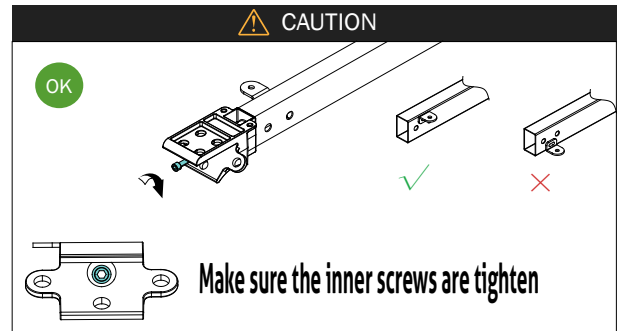
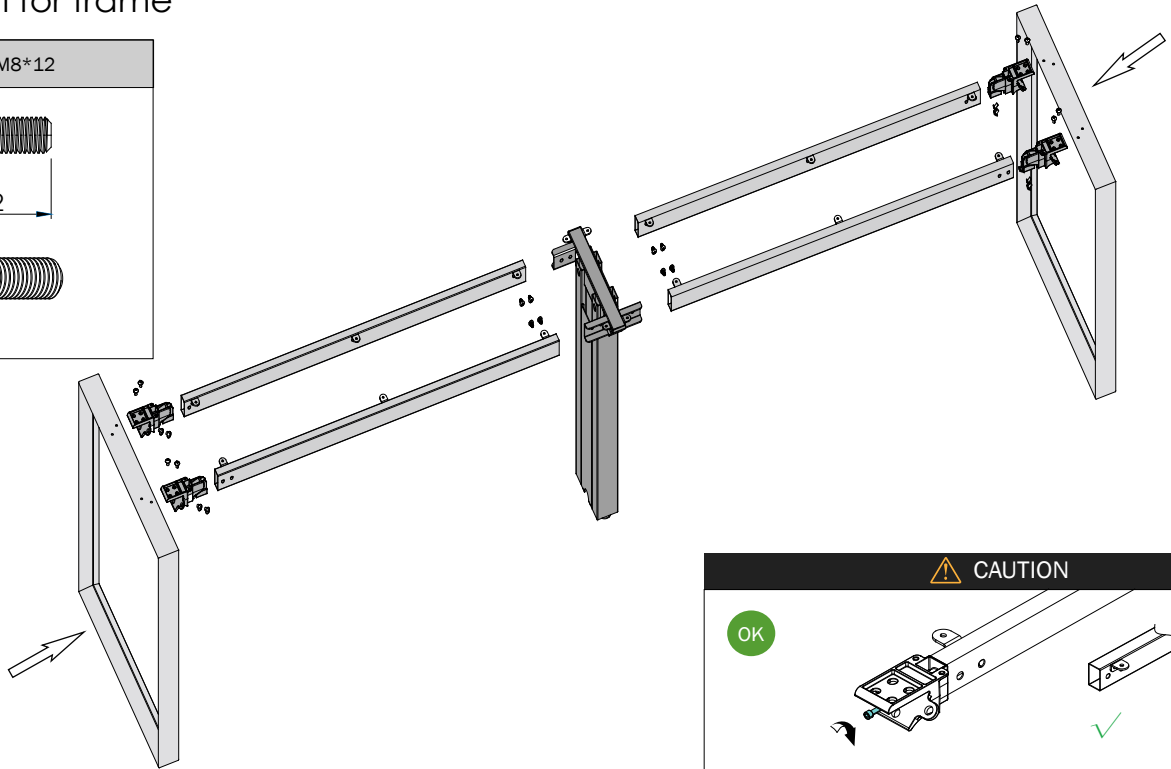
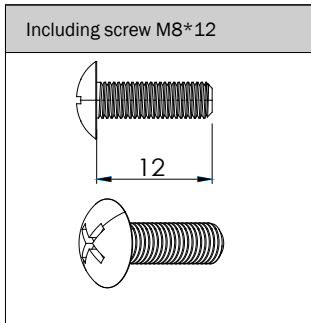
SL

FAST AND CONVENIENT INSTALLATION SYSTEM
Desk system Screen system

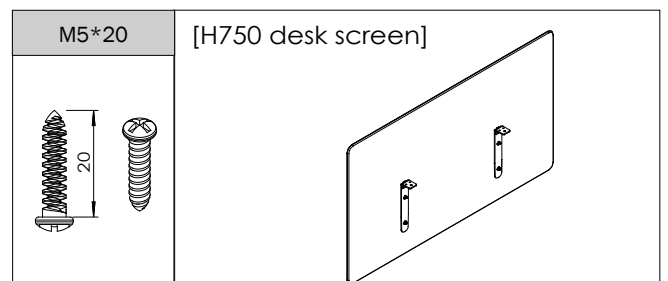
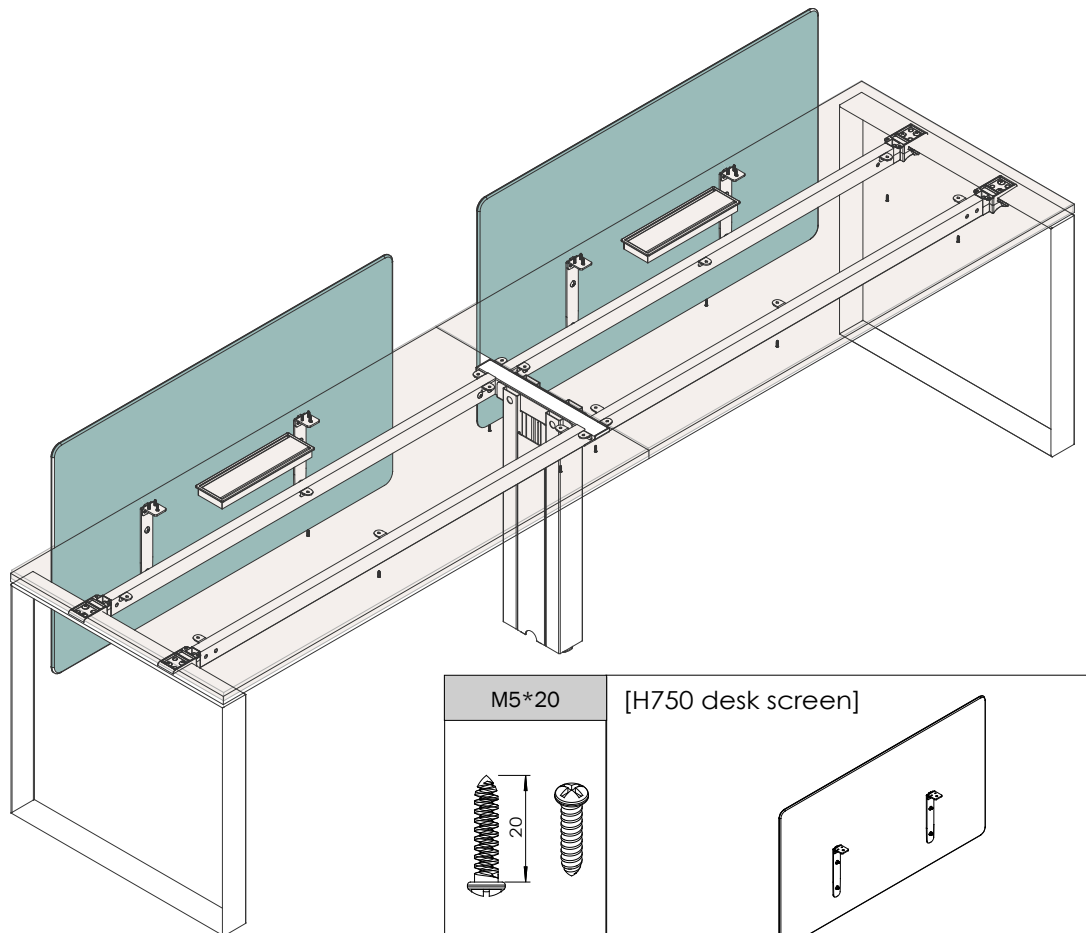
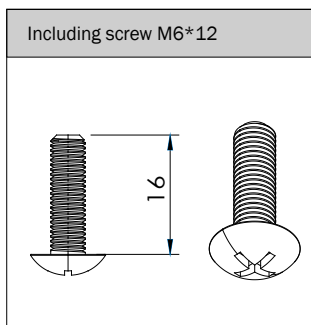
By XINDA

Single side bench

Horizontal for frame



Vertical for top



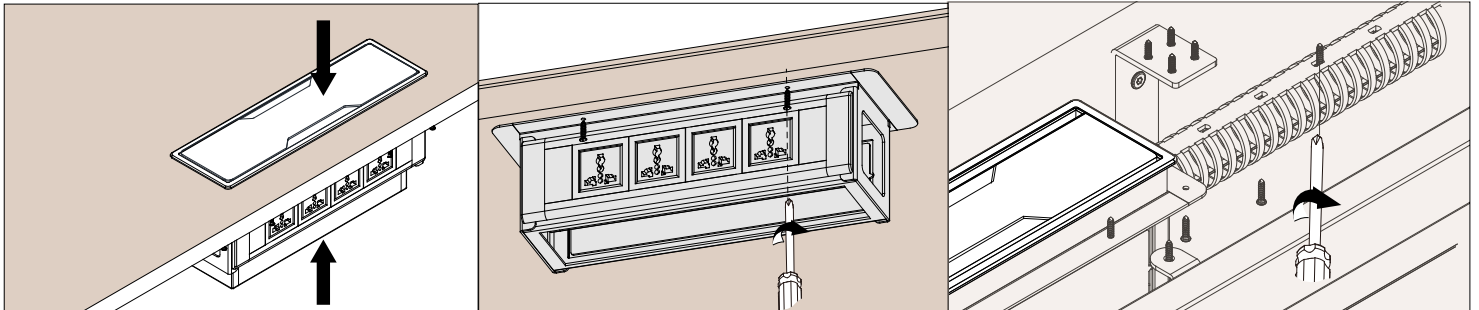
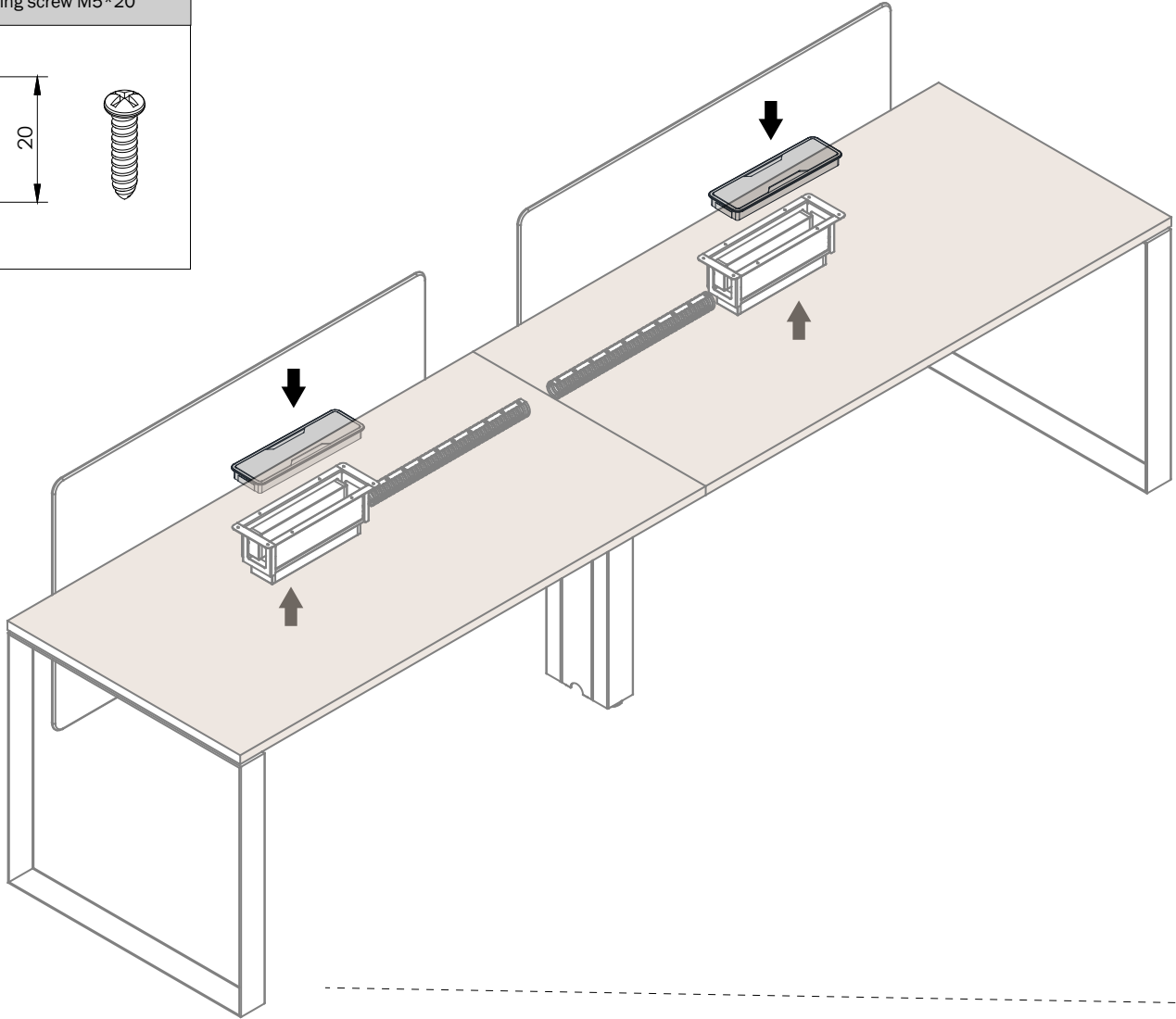
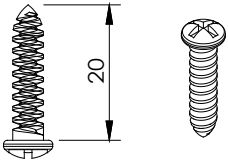
SL

FAST AND CONVENIENT INSTALLATION SYSTEM
Desk system Screen system

By XINDA

Single side bench

Including screw M5*20



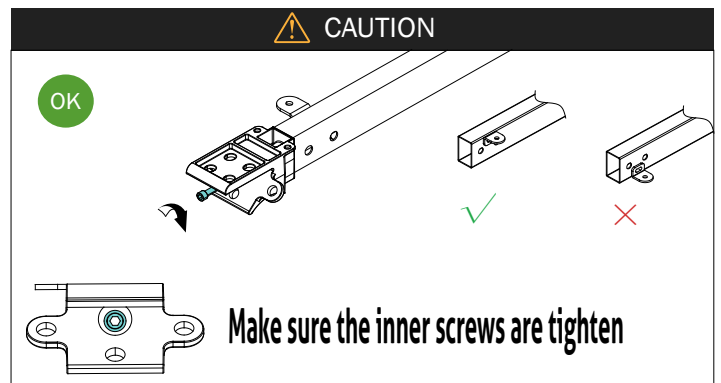
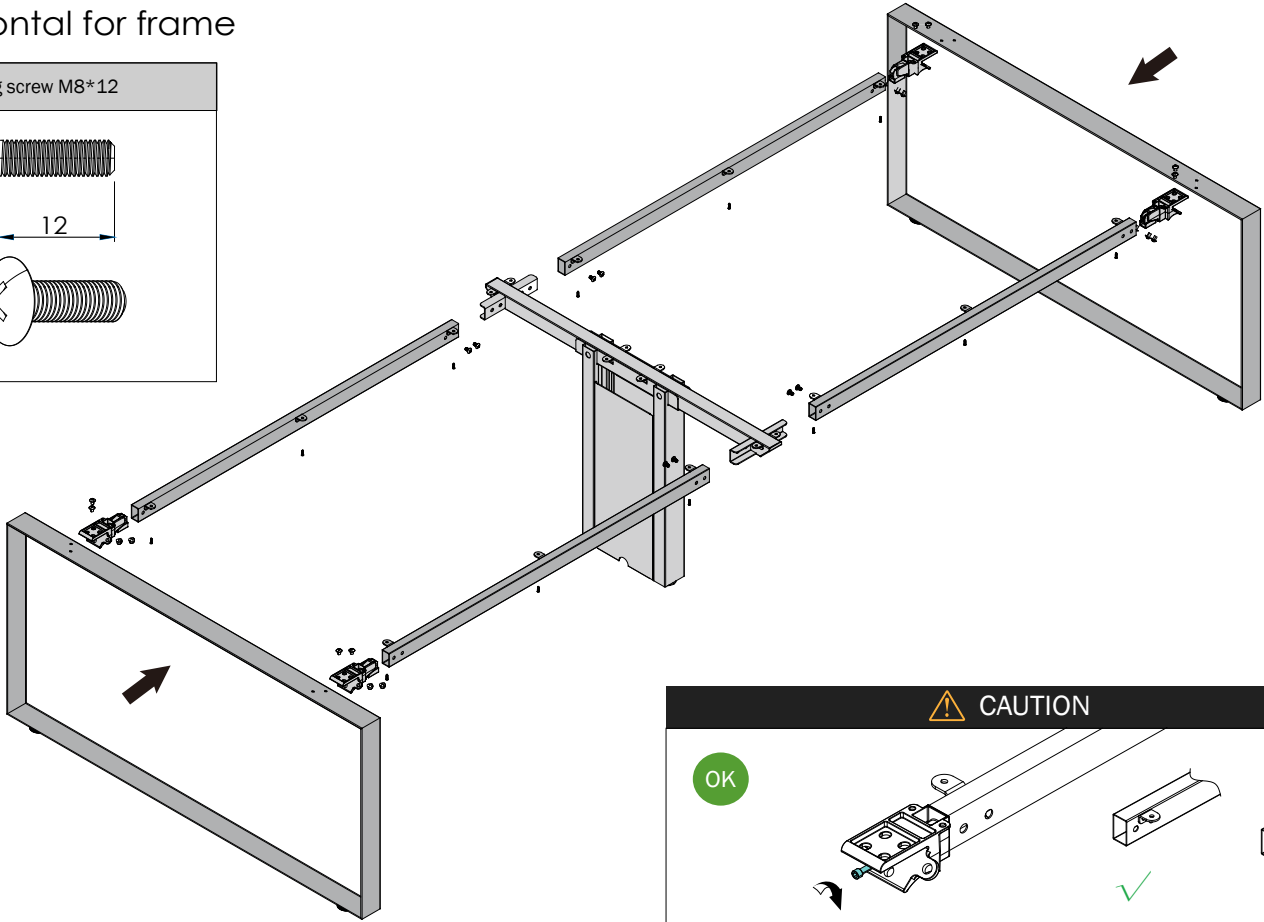
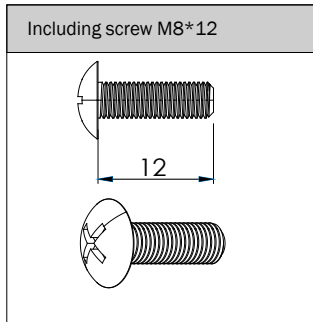
SL

FAST AND CONVENIENT INSTALLATION SYSTEM
Desk system Screen system

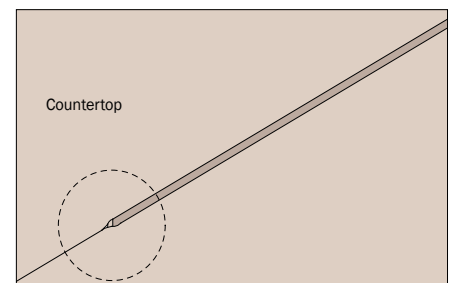
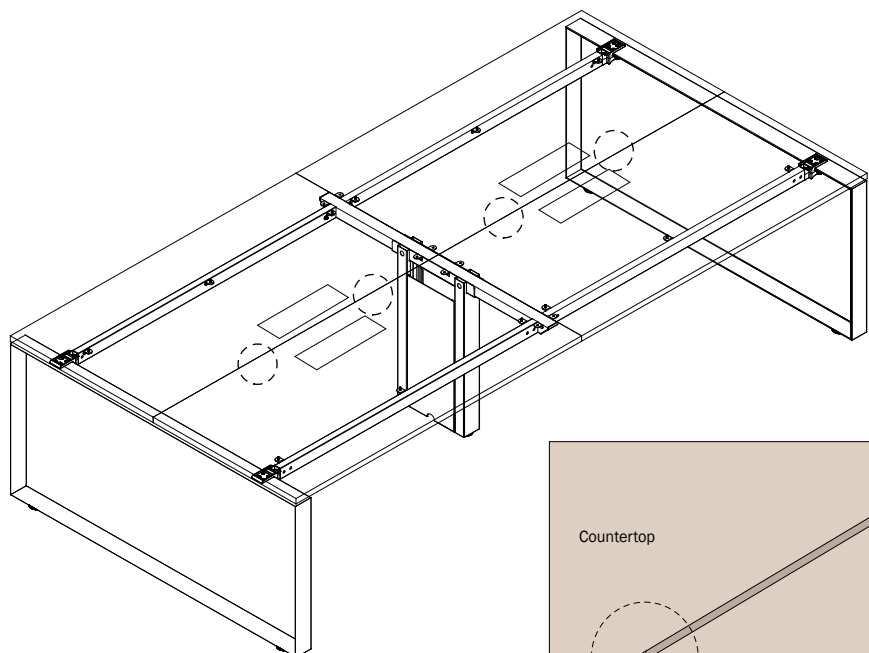
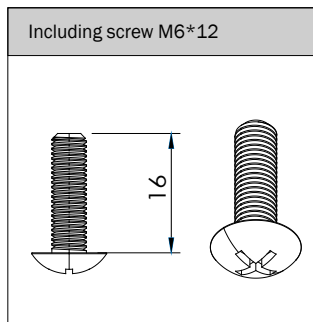
By XINDA

Dual side bench

Horizontal for frame



Vertical for top

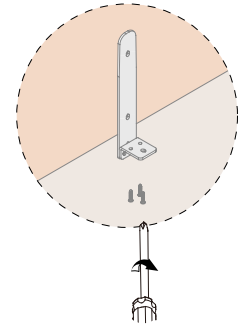
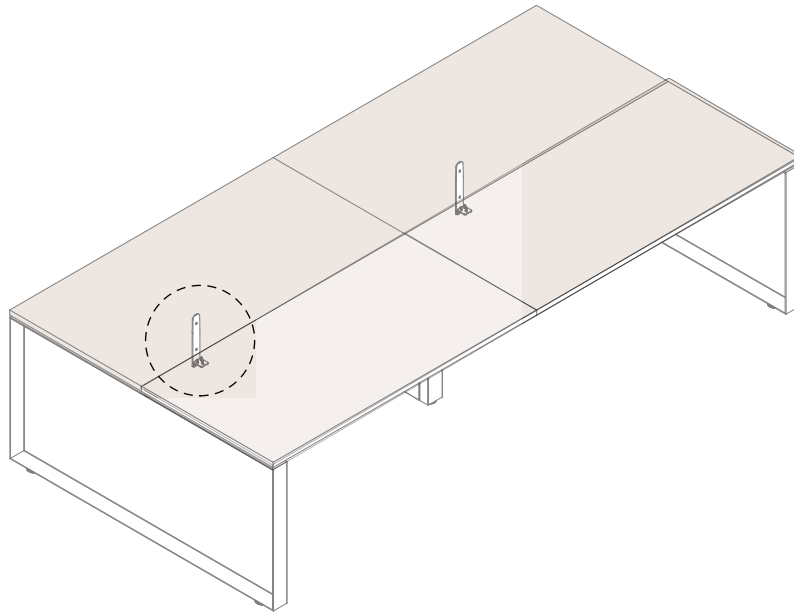
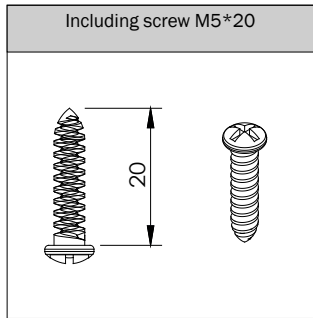


SL

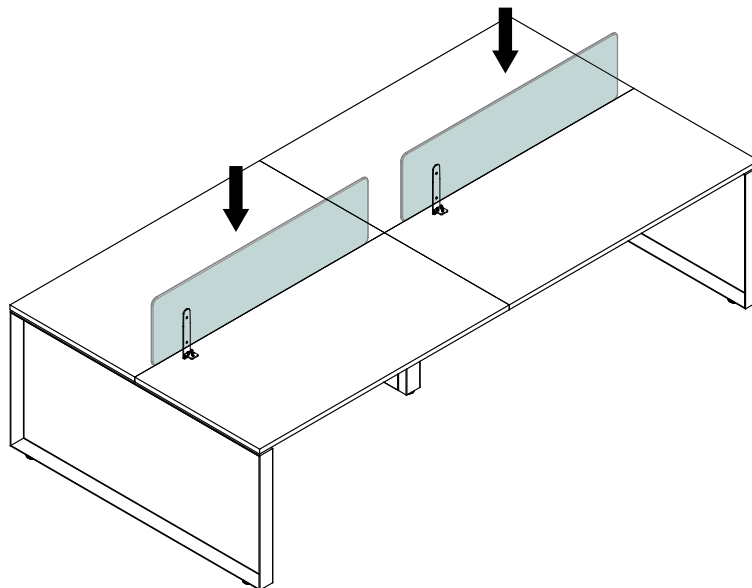
FAST AND CONVENIENT INSTALLATION SYSTEM
Desk system Screen system

By XINDA

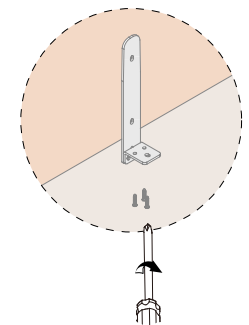
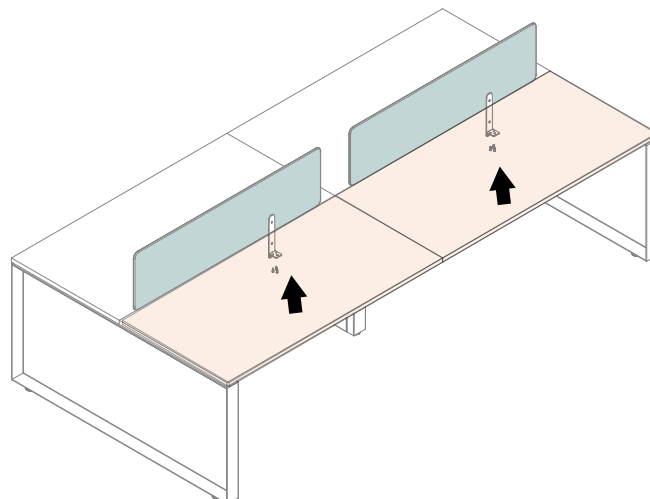
Dual side bench



STEP: ①



STEP: ②



STEP: ③

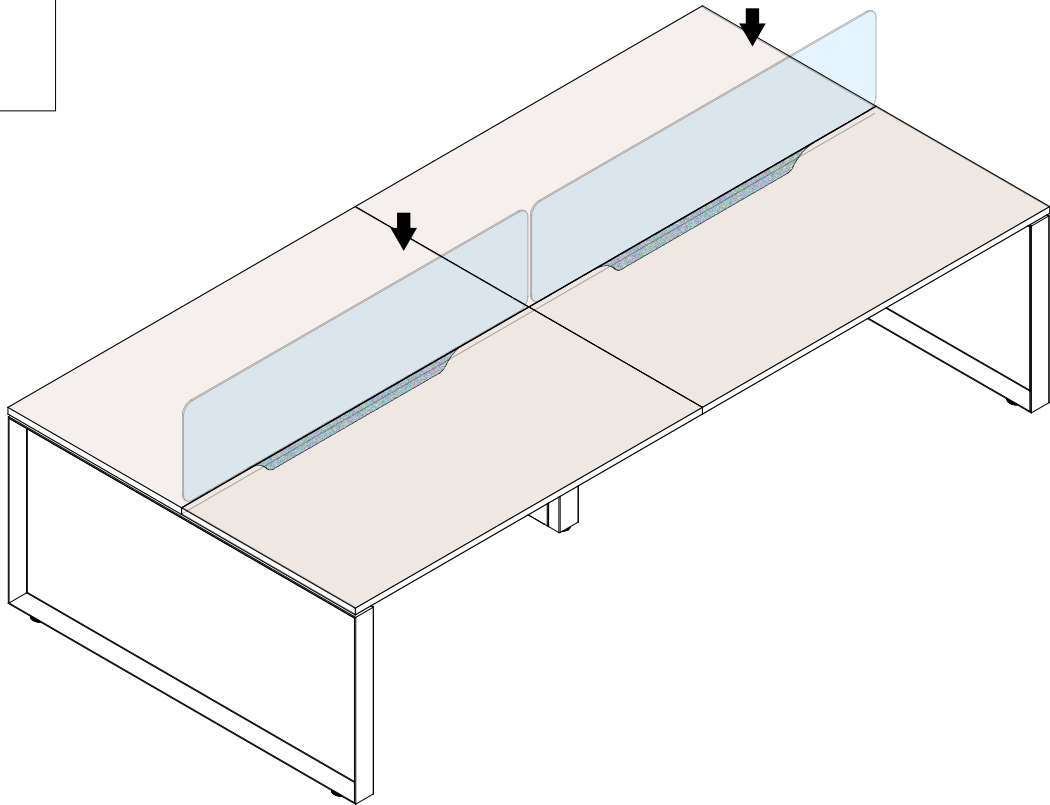
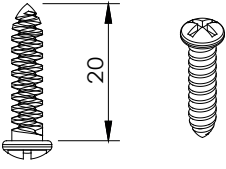
SL

FAST AND CONVENIENT INSTALLATION SYSTEM
Desk system Screen system

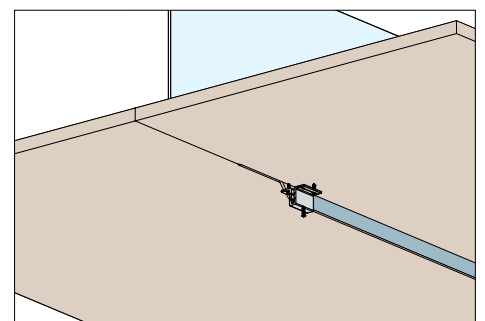
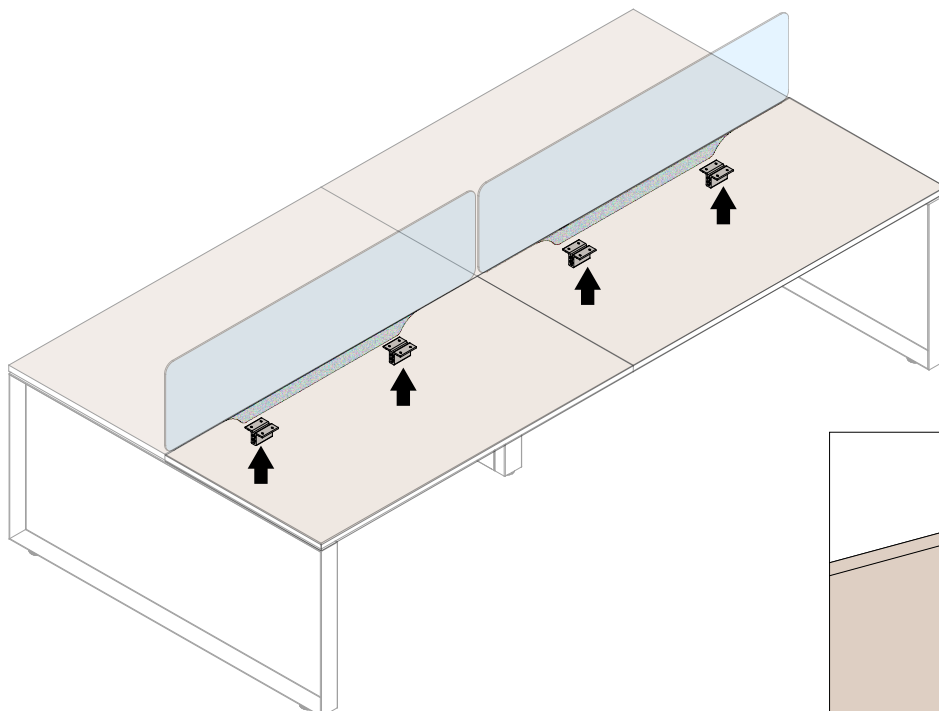
By XINDA

Dual side bench

Including screw M5*20



STEP: ①



STEP: ②

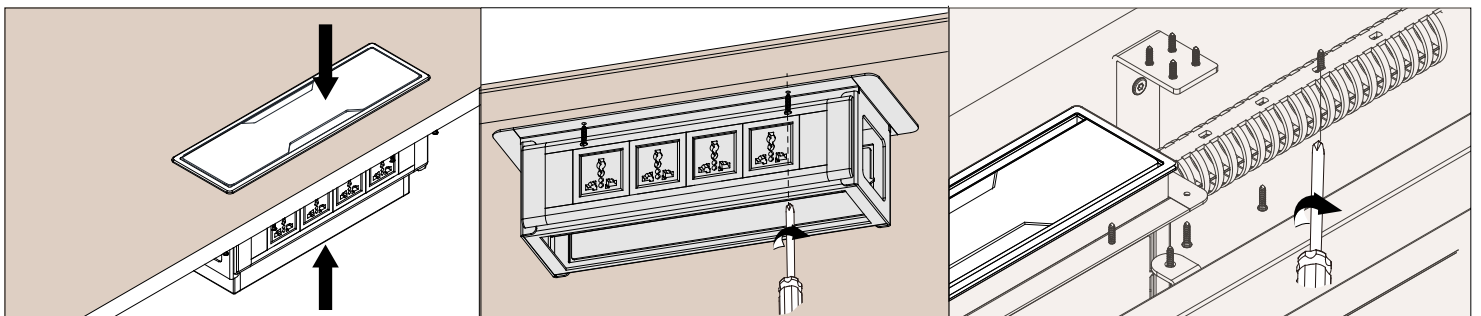
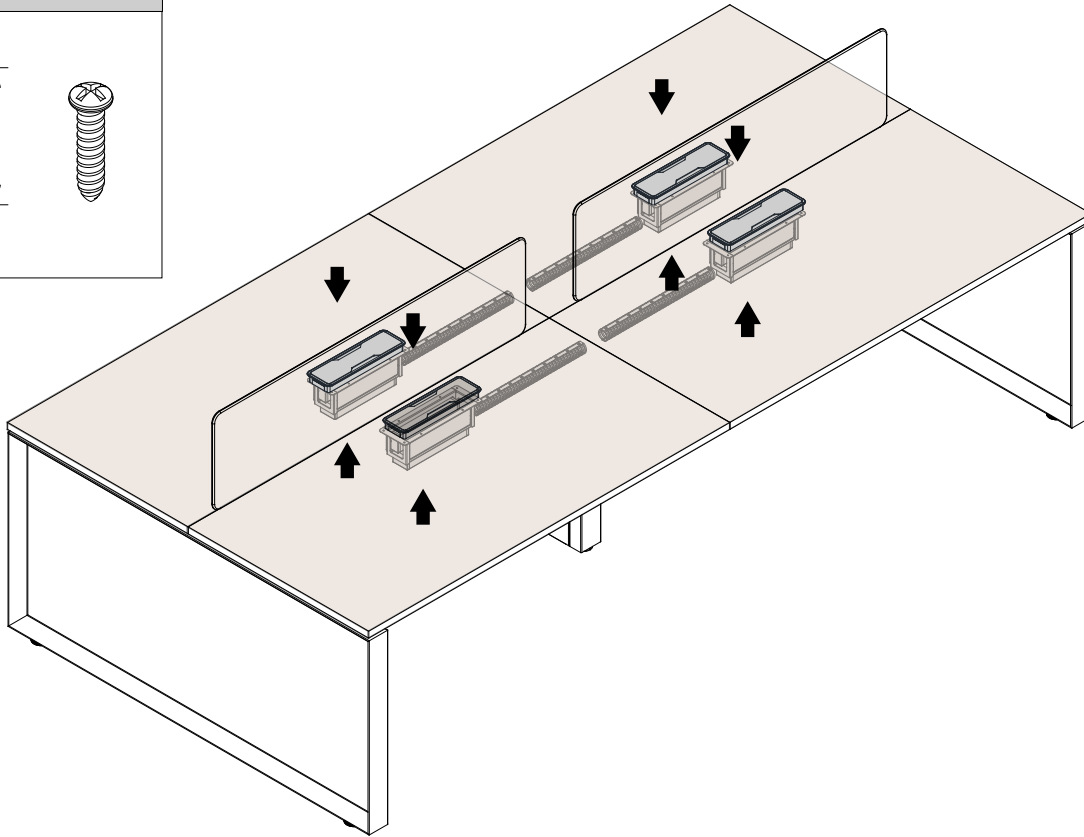
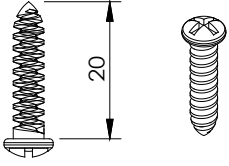
SL

FAST AND CONVENIENT INSTALLATION SYSTEM
Desk system Screen system

By XINDA

Dual side bench

Including screw M5*20



SL

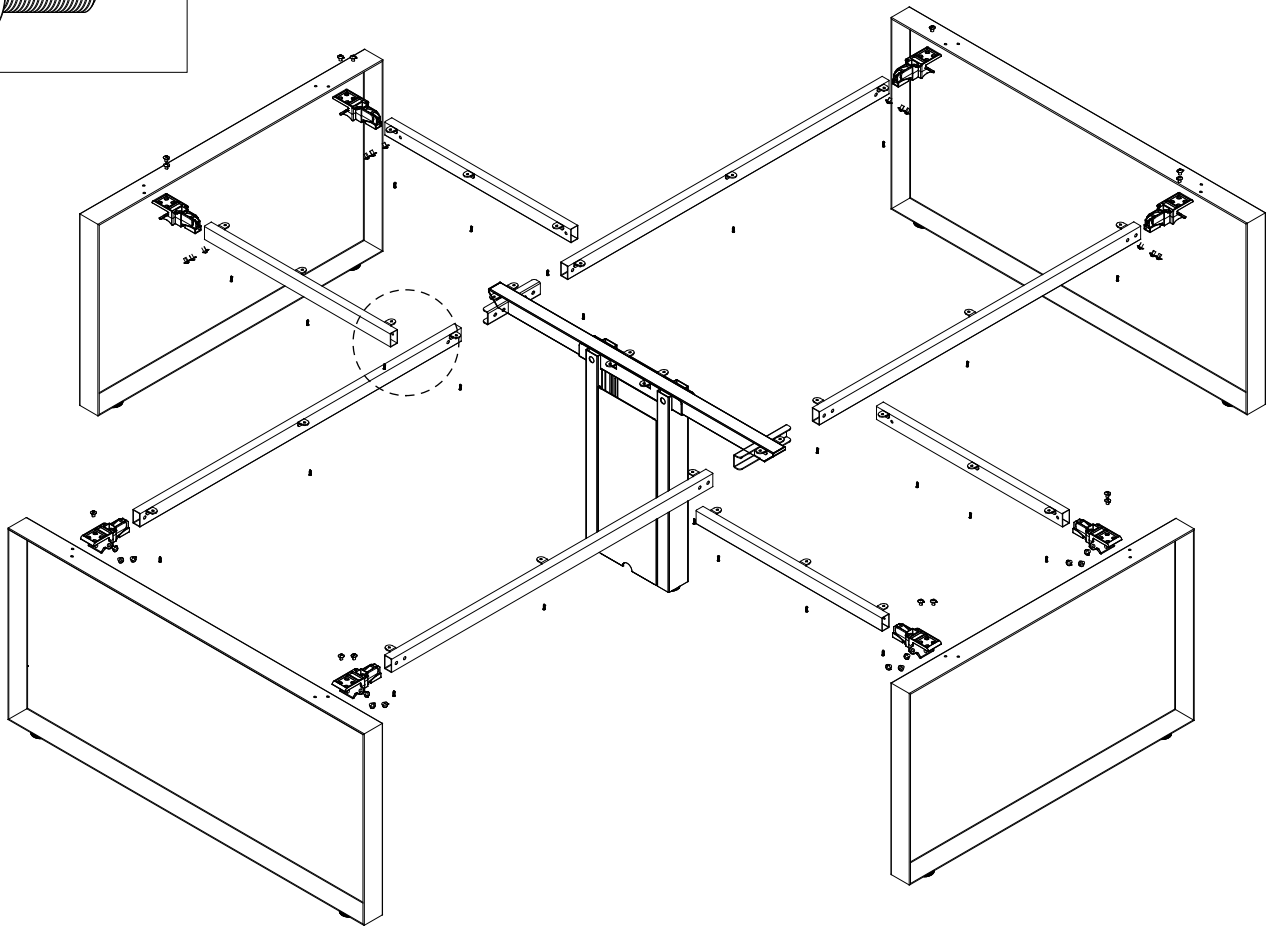
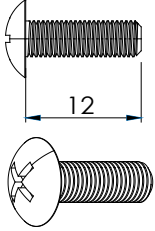
FAST AND CONVENIENT INSTALLATION SYSTEM
Desk system Screen system

By XINDA

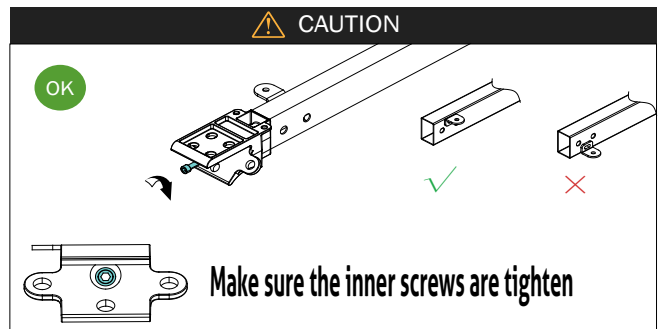
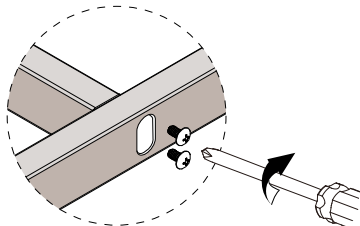
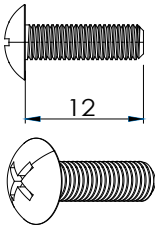
L shape workstation

Horizontal for frame

Including screw M8*12



Including screw M6*12



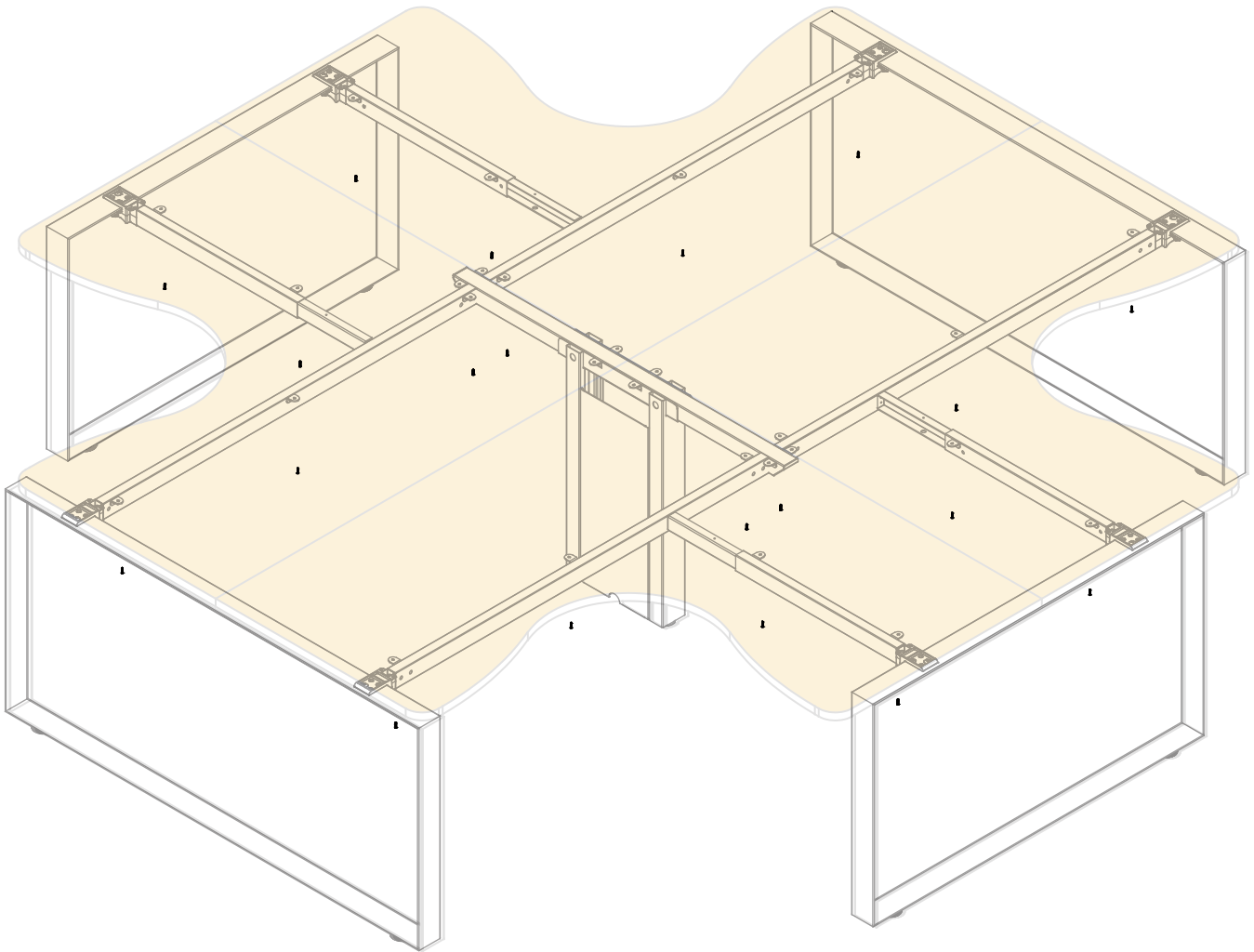
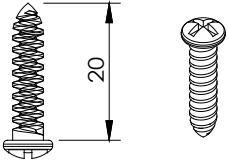
SL

FAST AND CONVENIENT INSTALLATION SYSTEM
Desk system Screen system

By XINDA

L shape workstation

Including screw M5*20

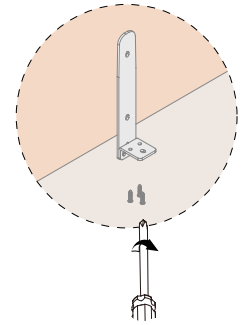
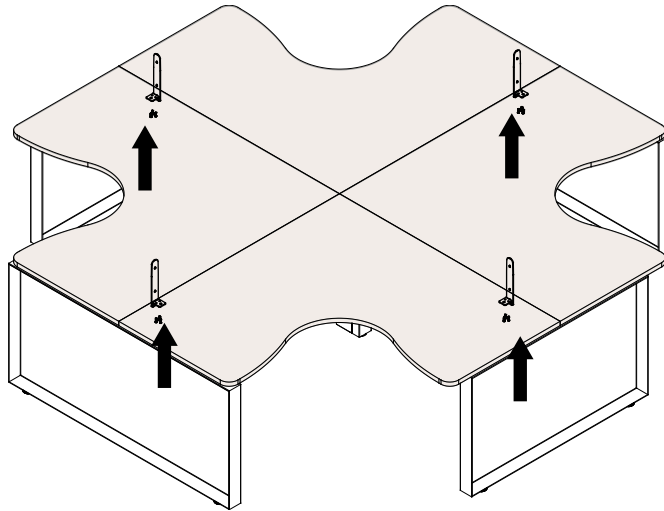
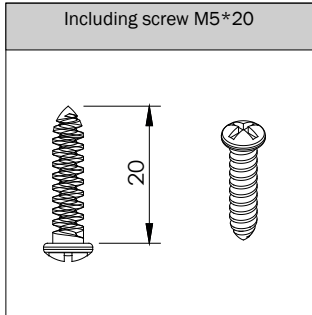


SL

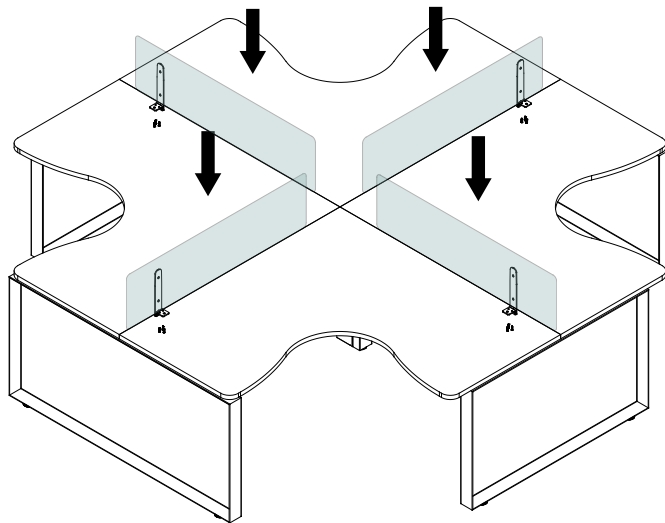
FAST AND CONVENIENT INSTALLATION SYSTEM
Desk system Screen system

By XINDA

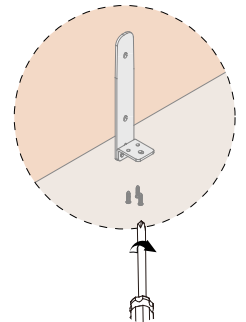
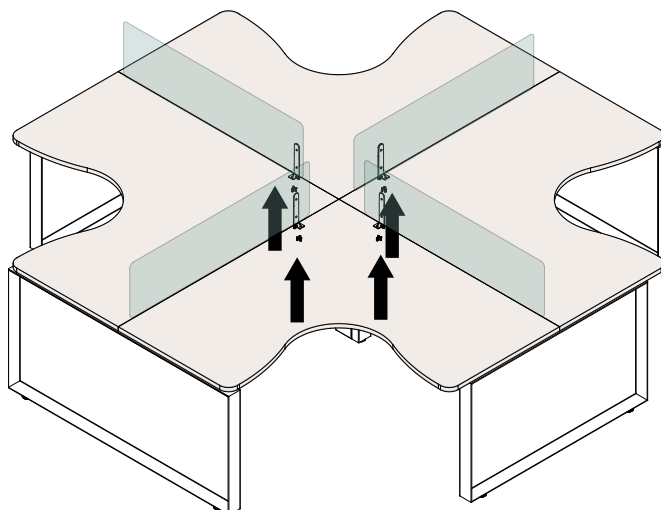
L shape workstation



STEP: ①



STEP: ②



STEP: ③

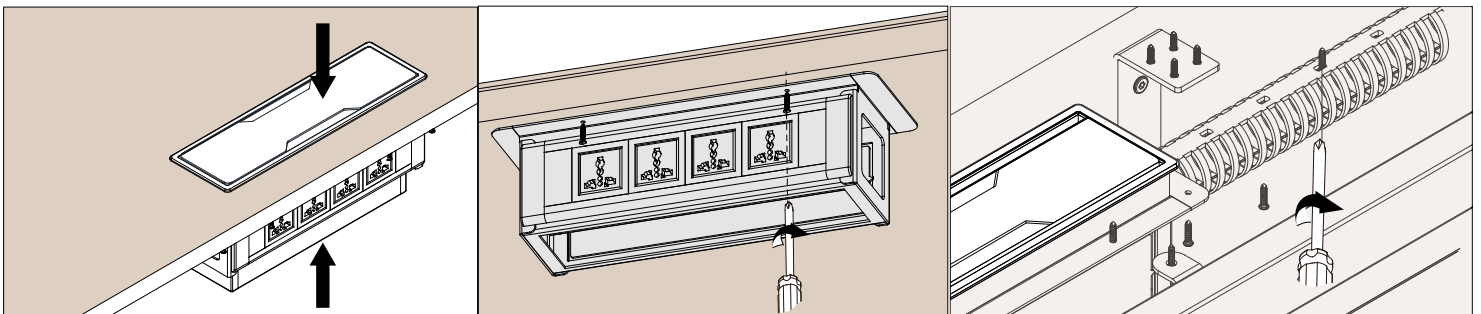
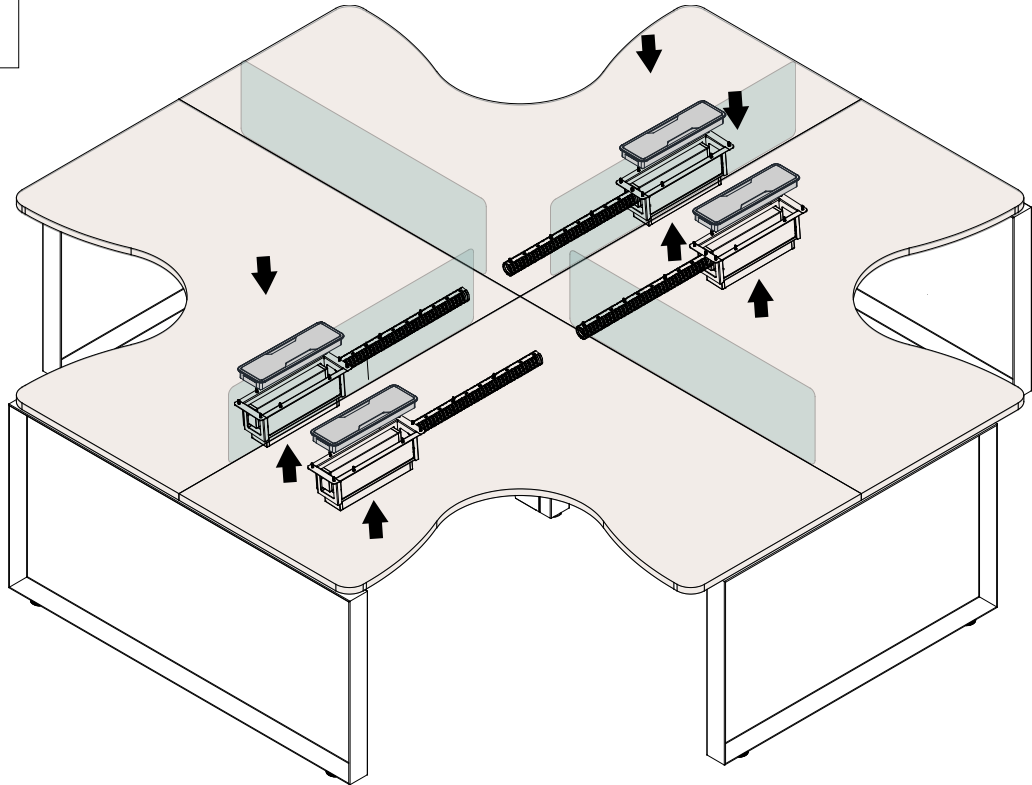
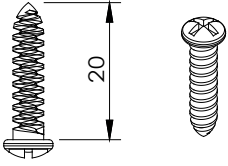
SL

FAST AND CONVENIENT INSTALLATION SYSTEM
Desk system Screen system

By XINDA

L shape workstation

Including screw M5*20



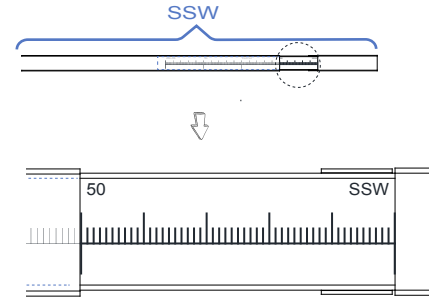
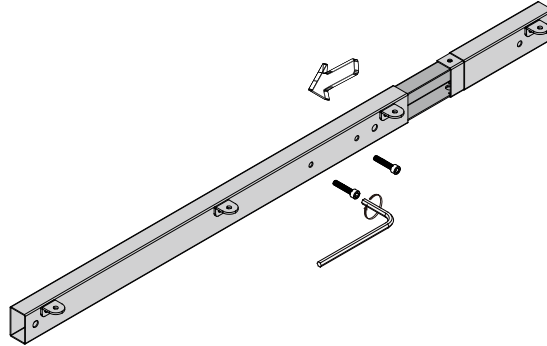
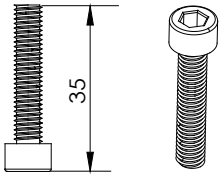
SL

FAST AND CONVENIENT INSTALLATION SYSTEM
Desk system Screen system

By XINDA

Extension bar

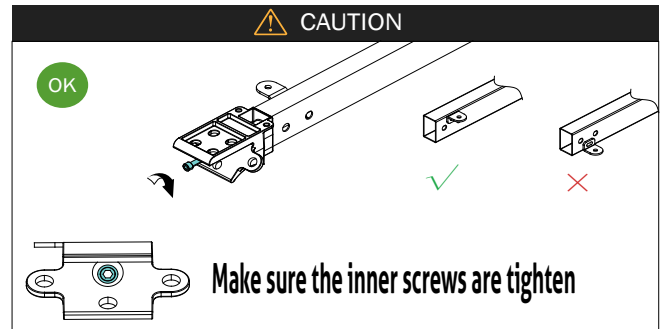
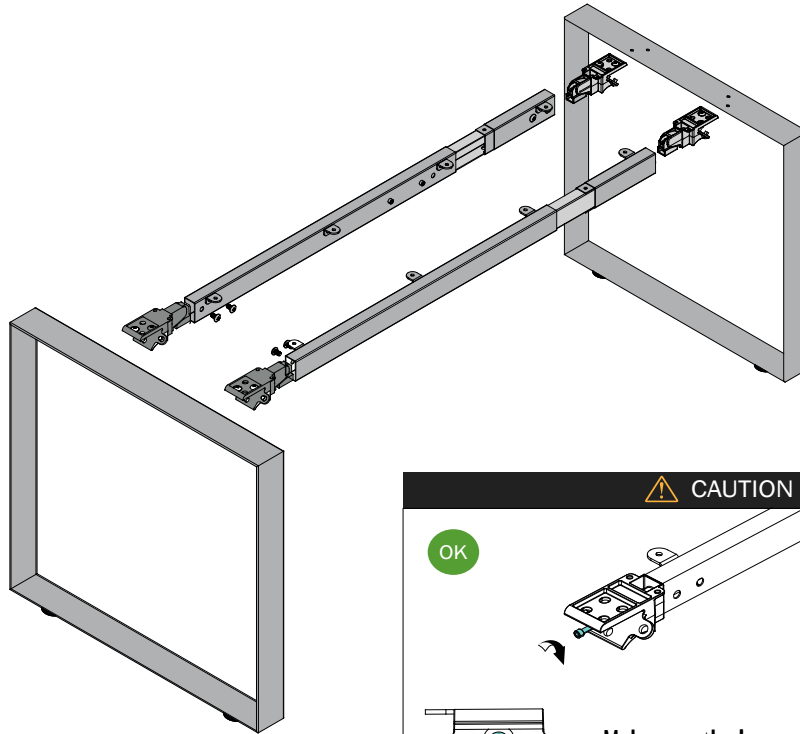
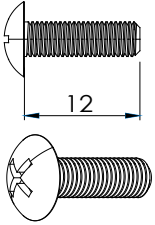
Including screw M6*35



SS(W+50)

Horizontal for frame

Including screw M8*12



Vertical for top

Including screw M6*12

