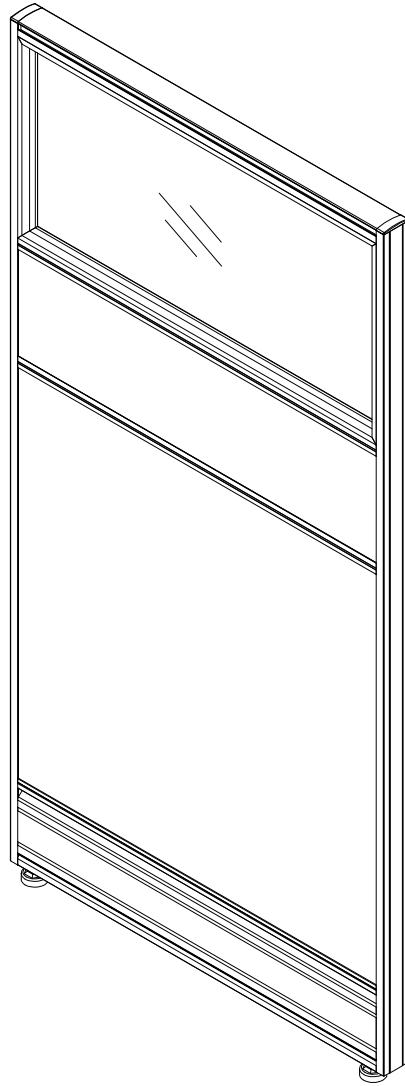




C60 GUIDING BOOK





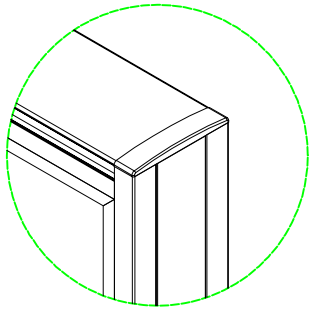
MENU of C60 PANEL

1.General design character	1
2.Structure	2
3.Connections	5
4.Supportings hanging accessories	6
5.Components list	8
6.Segments details	10
7.Cut length logic	15
8.Holes punching	17

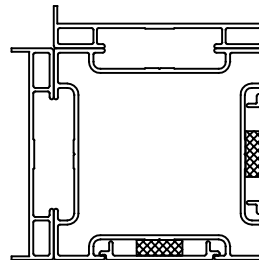
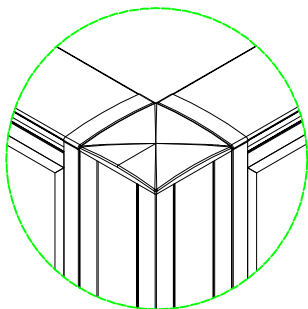
I.C60 details:

- 1.Aluminum frame, block system partition
2. C60 thickness:60mm

II.End trim:

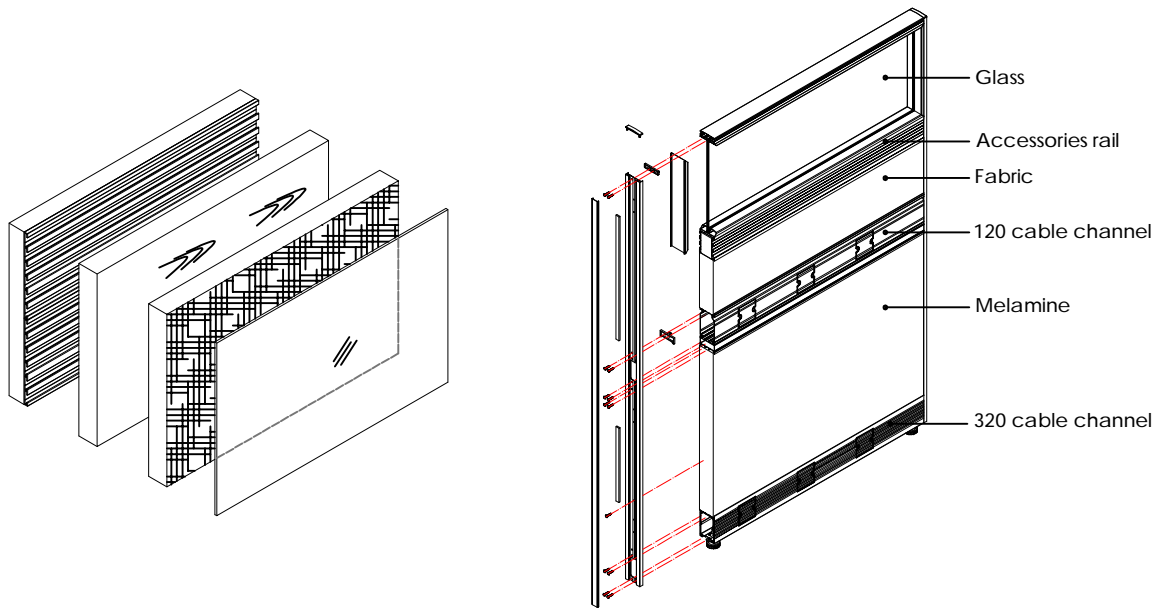


III.Corner connections:

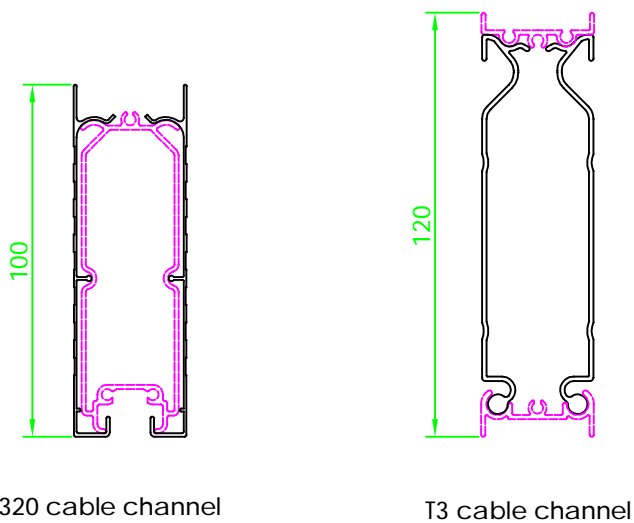


I.C60 structure details:

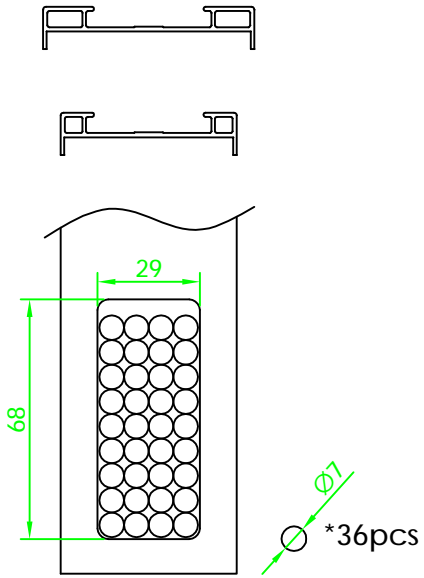
1. Panel-base system, aluminum frame includes powder coated and anodized
2. Block material: (4mm)glass/polycarbonate, melamine, fabric, metal sheet, white board and accessories rail



3.C60 cable channel (wire): three options

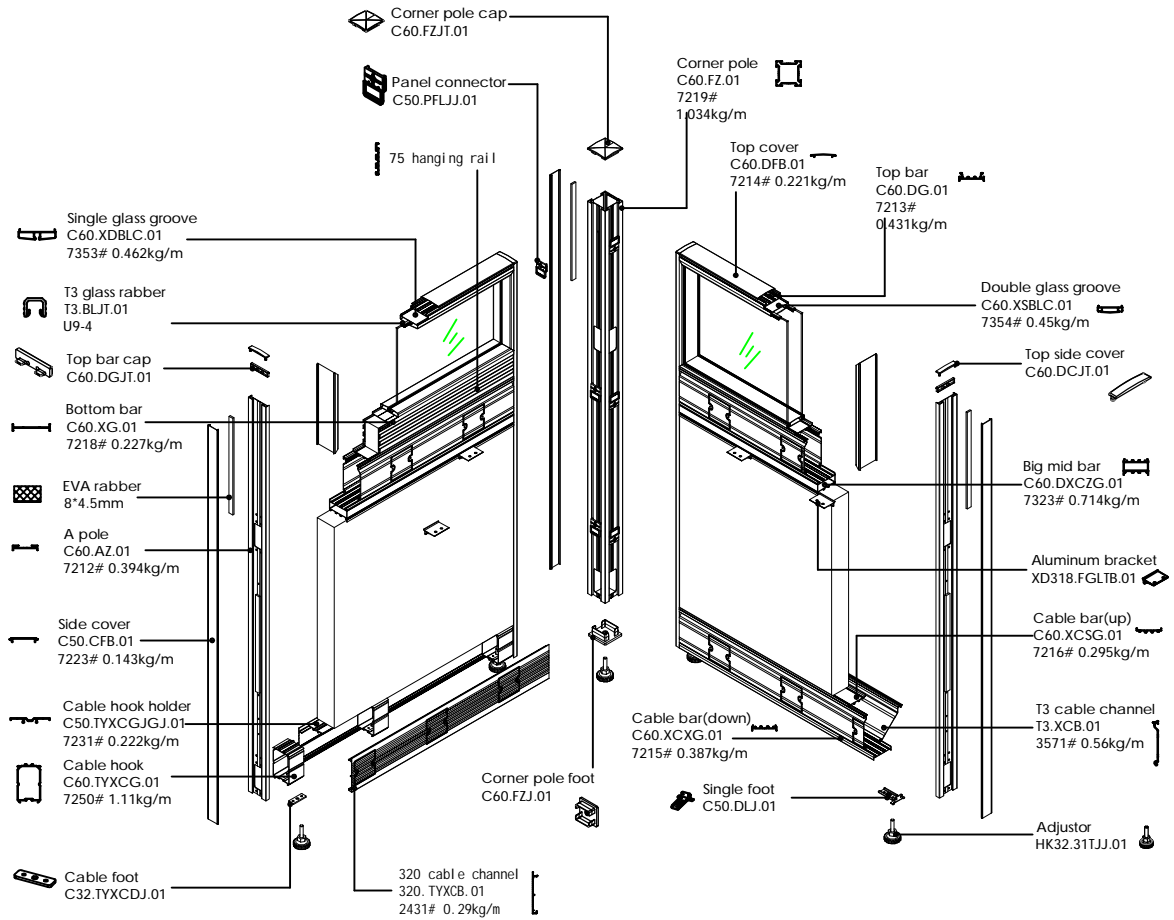


II.C60 capacity of cable channel



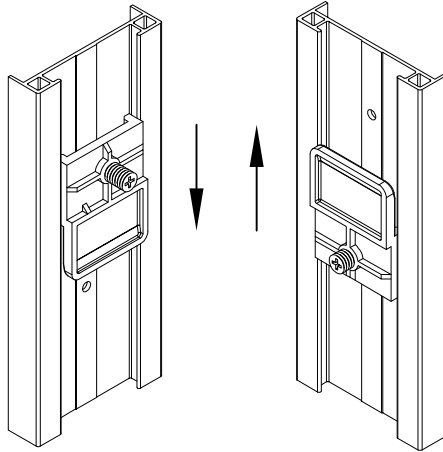
320 cable channel & T3-120 cable channel

III.C60 panel explosion details



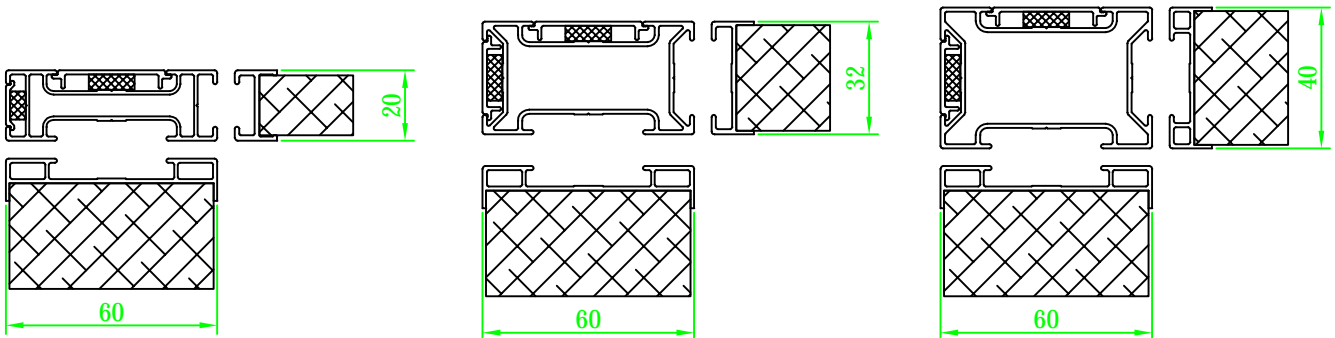
Connections

I. Between panels and poles



fastening

II. Different thickness connections (take L shape for example)

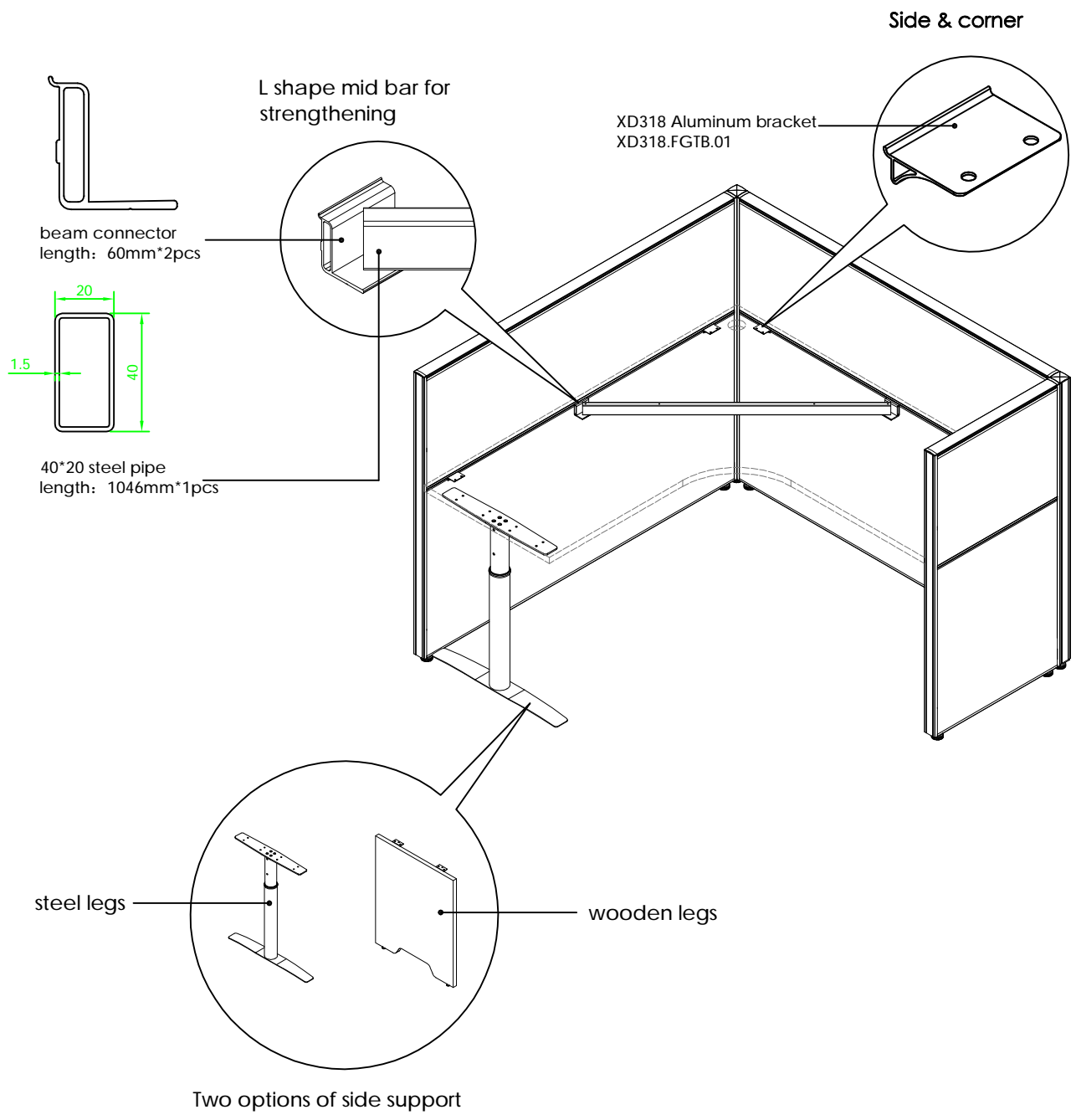


C20&C60

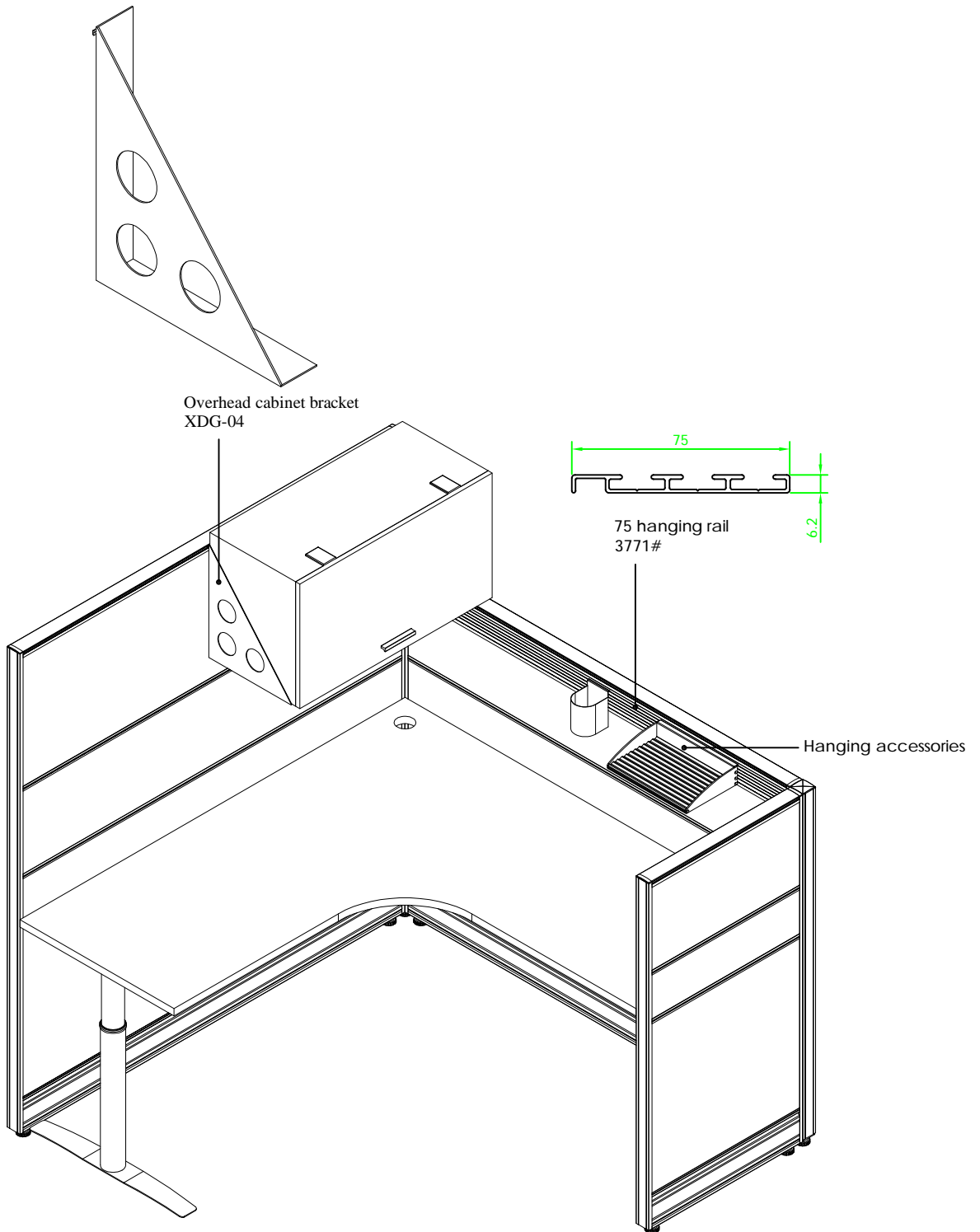
C32&C60

C40&C60

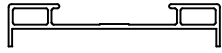
Supporting system



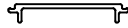
Hangings system



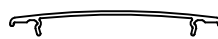
I. Aluminum profiles parts



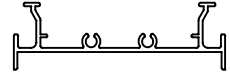
A pole
C60.AZ.01
7212# 0.394kg/m



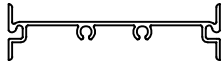
side cover
C50.CFB.01
7223# 0.143kg/m



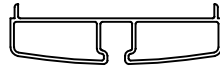
top cover
C60.DFB.01
7214# 0.221kg/m



top bar
C60.DG.01
7213# 0.431kg/m



mid bar A
C60.FGZG.01
7217# 0.346kg/m



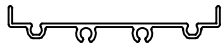
single glass groove
C60.XDBLC.01
7353# 0.462kg/m



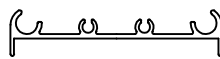
double glass groove
C60.XSBLC.01
7354# 0.45kg/m



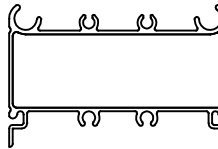
bottom bar
C60.XG.01
7218# 0.227kg/m



cable bar(up)
C60.XCSG.01
7216#
0.295kg/m



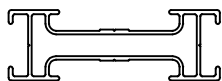
cable bar(down)
C60.XCXG.01
7215# 0.387kg/m



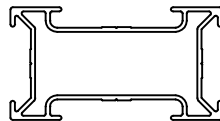
big mid bar
C60.DXCZG.01
7323# 0.714kg/m



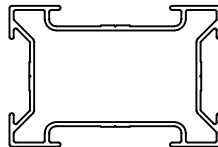
C50 cable hook stabilizer
C50.TYXCGJGJ.01
7231# 0.222kg/m



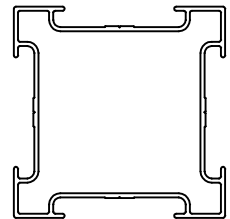
C60&C20 corner
pole C60.60+20LJZ.01
7316# 0.609kg/m



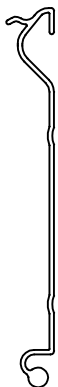
C60&C30 corner pole
C60.60+30LJZ.01
7221# 0.824kg/m



C60&C40 corner pole
C60.60+40LJZ.01
7220# 0.884kg/m



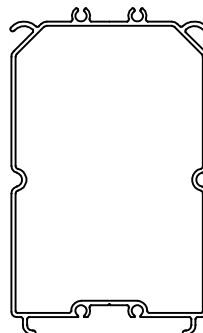
corner pole
C60.FZ.01
7219# 1.034kg/m



T3 cable channel
T3.XCB.01
3571# 0.56kg/m



320 cable channel
320.TYXCB.01
2431# 0.29kg/m



cable hook
C60.TYXCG.01
7250# 1.11kg/m



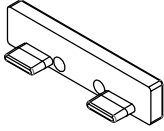
C32 side cover
C32.CFB.01
7242# 0.109kg/m



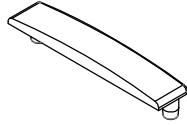
C20 side cover
C20.CFB.01
7304# 0.051kg/m

Components list

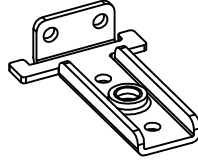
II. Accessories parts



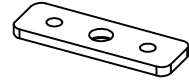
top bar cap
C60.DGJT.01



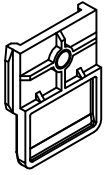
top side cap
C60.DCJT.01



C50 single foot
C50.DLJ.01



C32 cable foot
C32.TYXCDJ.01



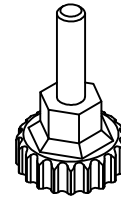
C50 panel connector
C50.PFLJJ.01
(with M6*8 X screw)



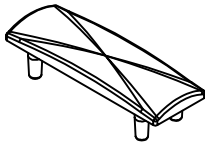
C32 panel connector
C32.PFLJJ.01
(with M6*8 X screw)



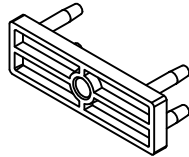
C20 corner pole
panel connector
C20.FZPFLJJ.01
(with M6*8 X screw)



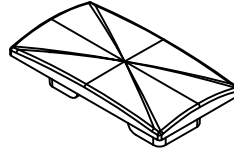
HK32 adjustor
HK32.31TJJ.01



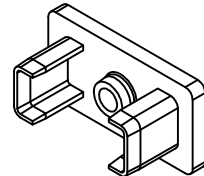
C60&C20 cap
C60.60+20JT.01



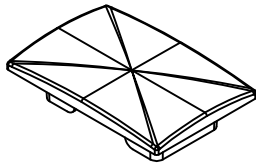
C60&C20 corner pole
foot C60.60+20LJZDJ.01



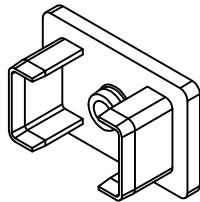
C60&C30 cap
C60.60+30JT.01



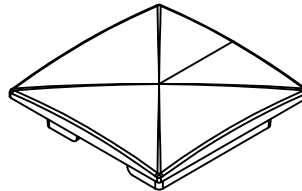
C60&C30 corner pole foot
C60.60+30LJZDJ.01



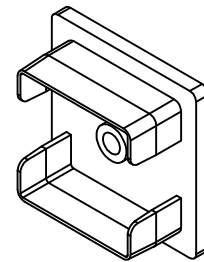
C60&C40 cap
C60.60+40JT.01



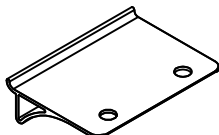
C60&C40 corner pole
foot C60.60+40LJZDJ.01



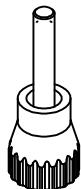
corner pole cap
C60.FZJT.01



corner pole foot
C60.FZJ.01



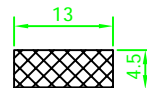
XD318 Aluminum bracket
XD318.FGLTB.01



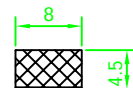
C20 adjustor
C20.20-M6TJJ.01



T3 glass rabber
T3.BLJT.01
U9-4

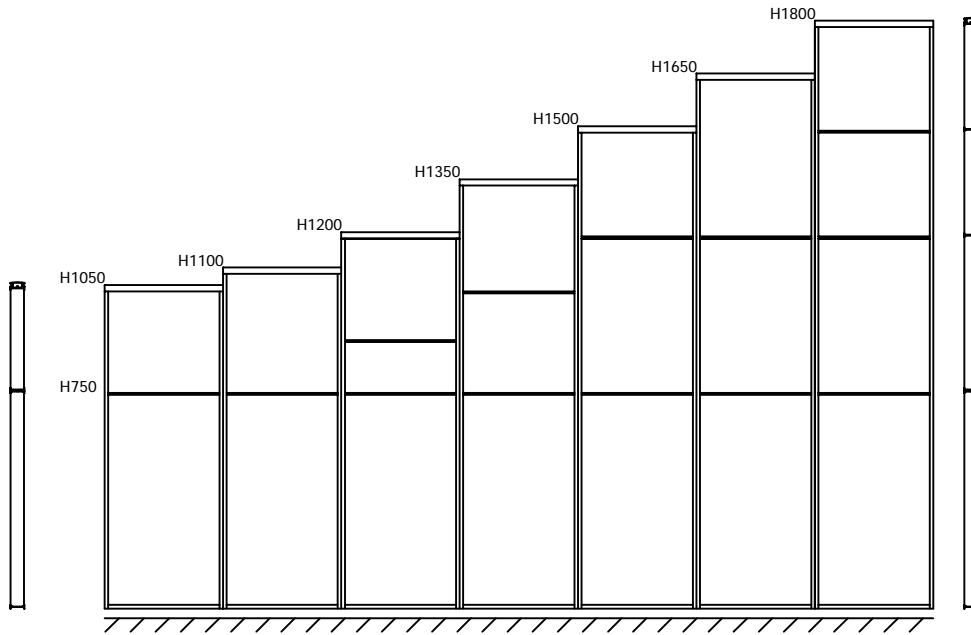


13*4.5mm EAV
rabber

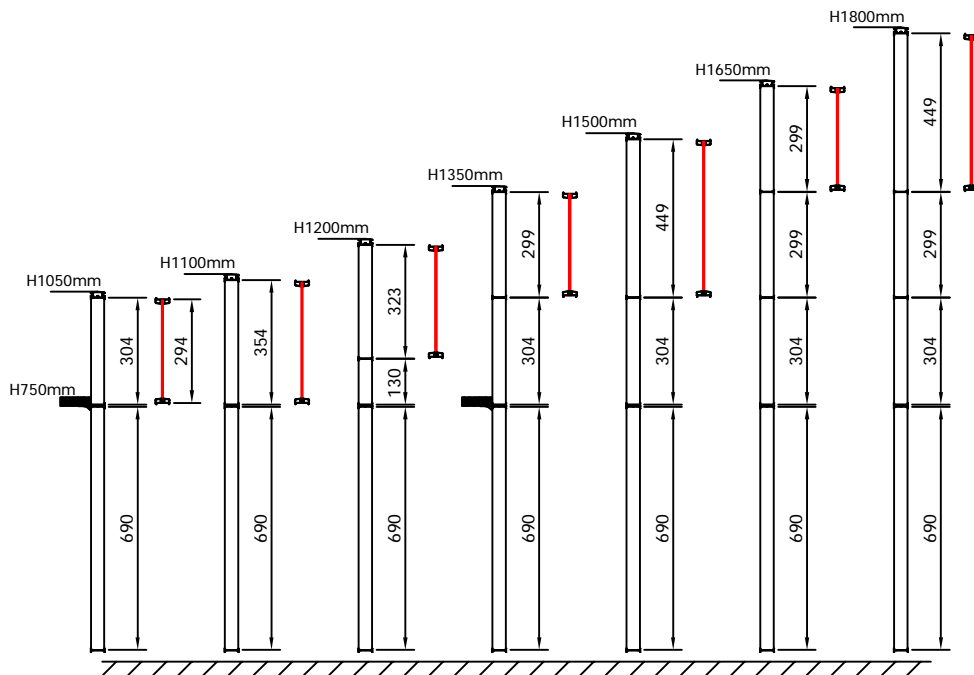


8*4.5mm EAV
rabber

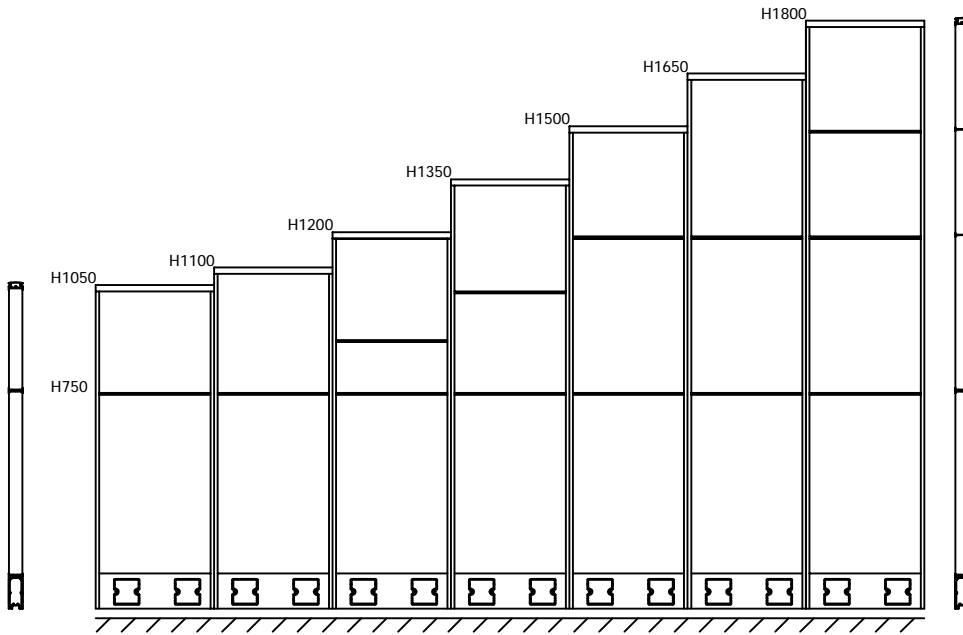
I. Without cable channel



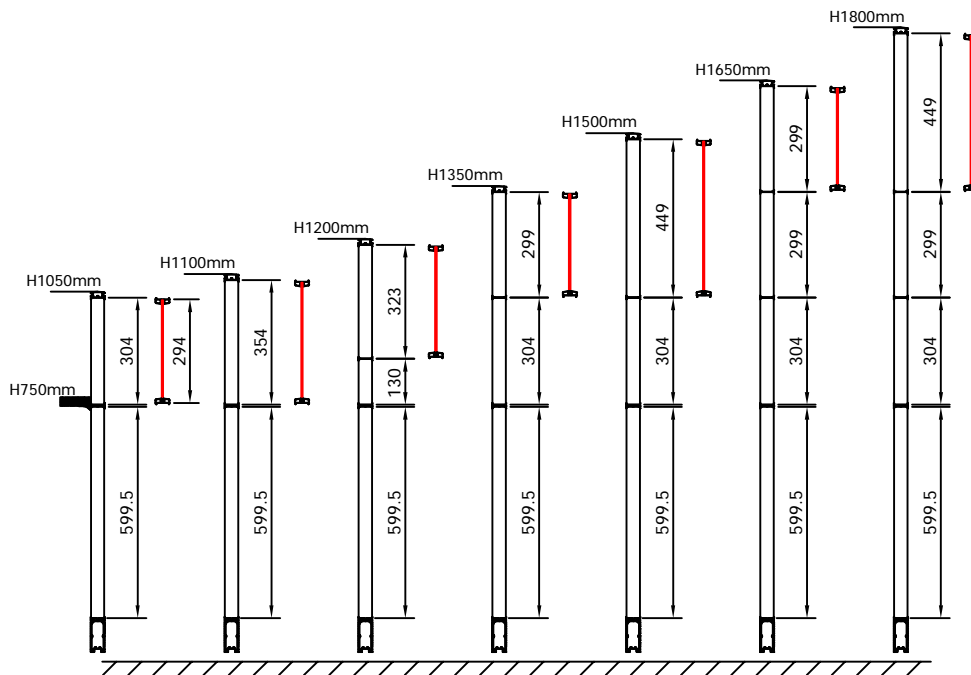
H: 1050、1100、1200、1350、1500、1650 and 1800mm.
W: 450、500、600、750、800、900、1050、1200、1400、1500、1600 and 1800mm.



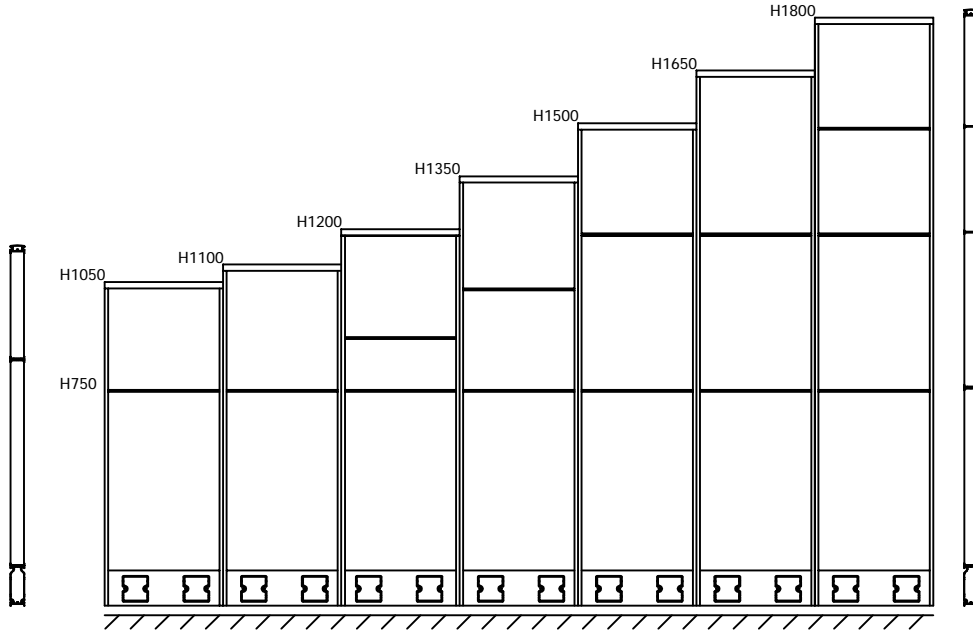
II.all-purpose cable channel on bottom



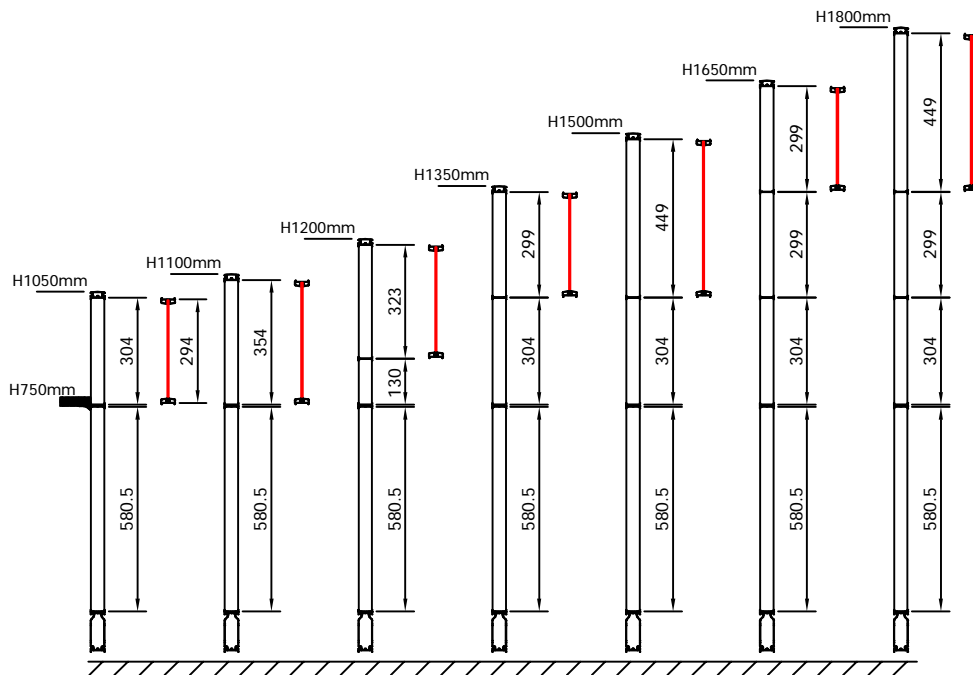
H : 1050、1100、1200、1350、1500、1650 and 1800mm.
W : 450、500、600、750、800、900、1050、1200、1400、1500、1600 and 1800mm.



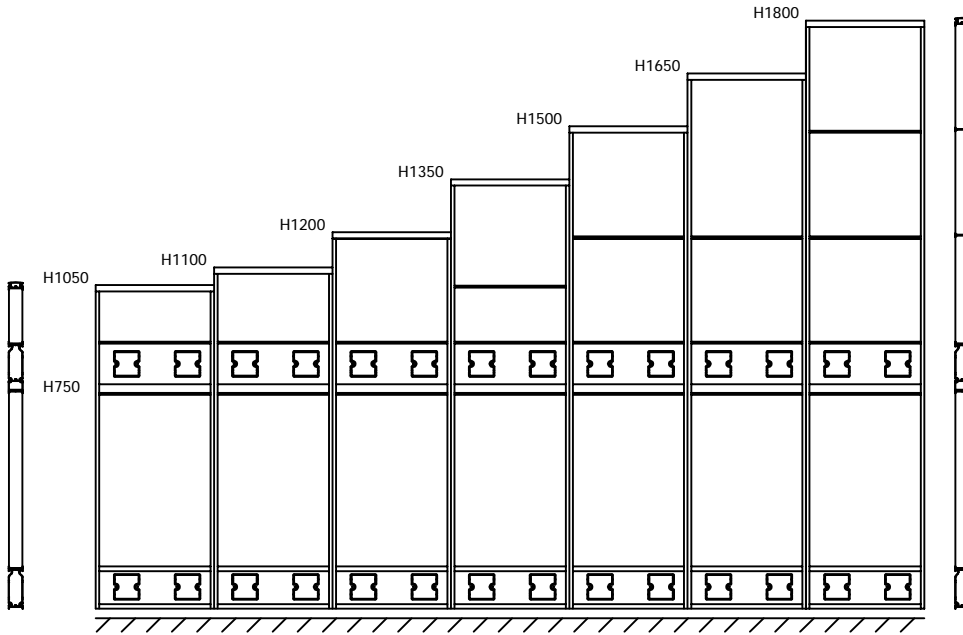
III.T3 cable channel on bottom



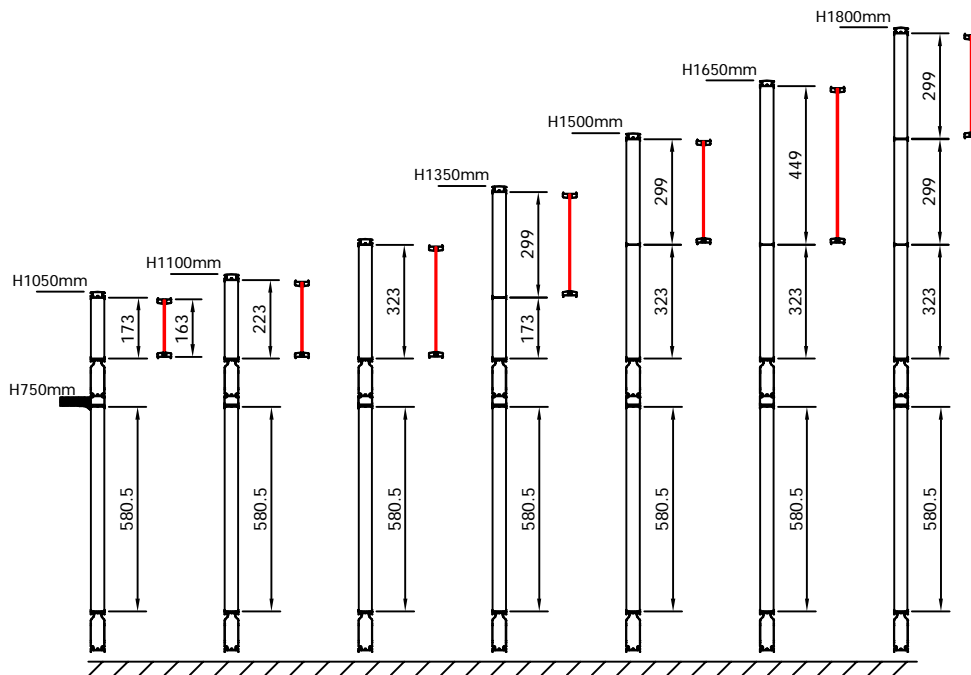
H:1050、1100、1200、1350、1500、1650 and 1800mm.
W: 450、500、600、750、800、900、1050、1200、1400、1500、1600 and 1800mm.



IV. Double T3 cable channel

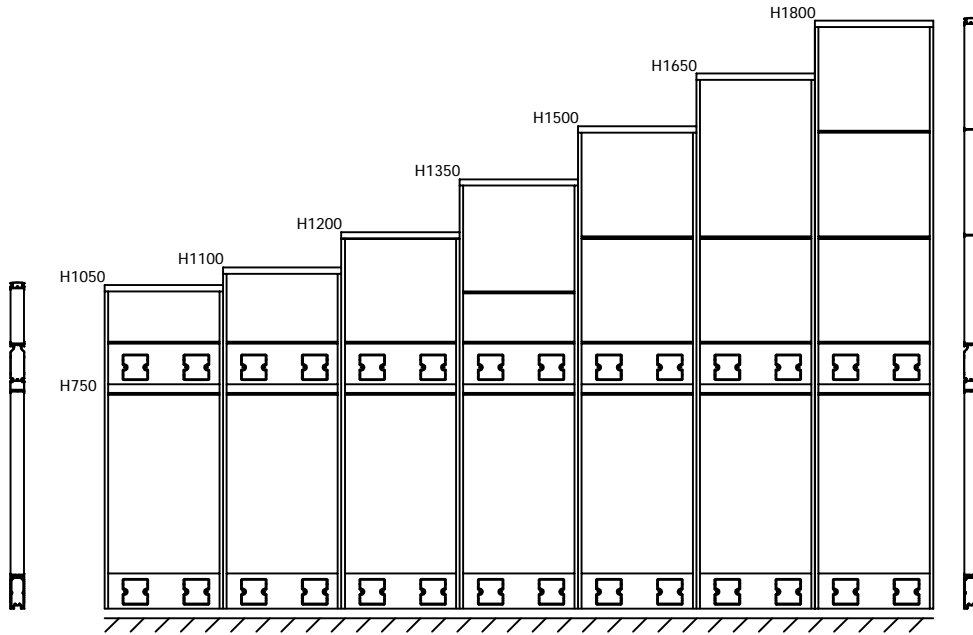


H: 1050、1100、1200、1350、1500、1650 and 1800mm.
W: 450、500、600、750、800、900、1050、1200、1400、1500、1600 and 1800mm.

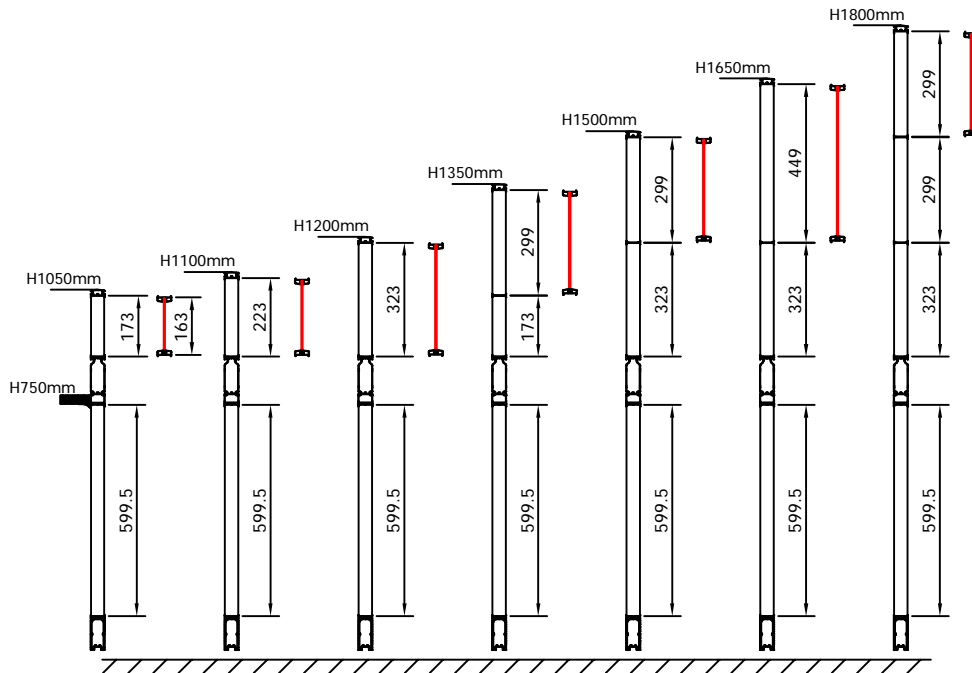


C60 segments details

V.T3 cable channel in the mid and All-purposecabel channel on the bottom

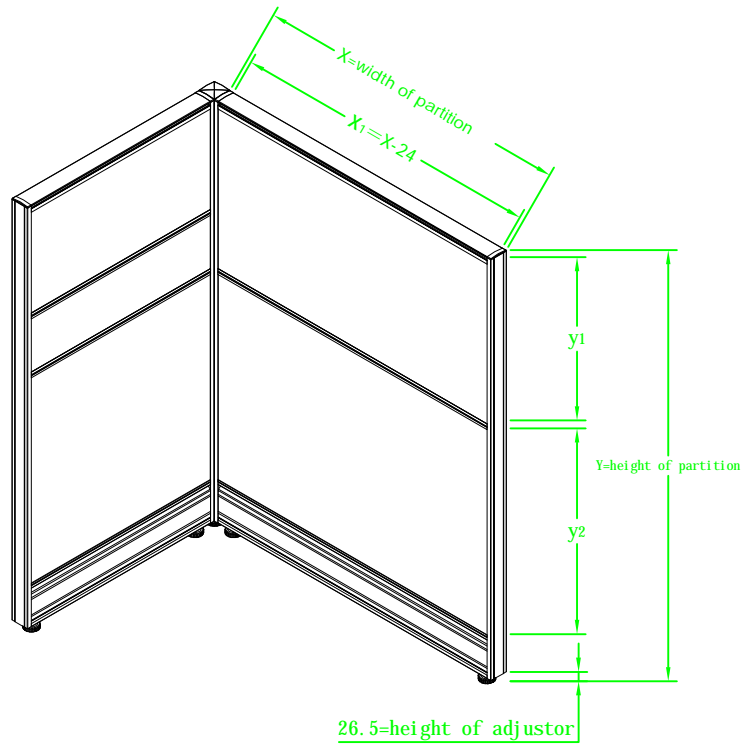


H: 1050、1100、1200、1350、1500、1650 and 1800mm.
W: 450、500、600、750、800、900、1050、1200、1400、1500、1600 and 1800mm.


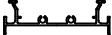


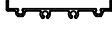
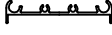

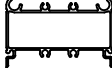
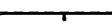




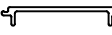
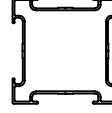
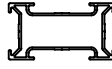



Cut length logics

I. Formula (C60)

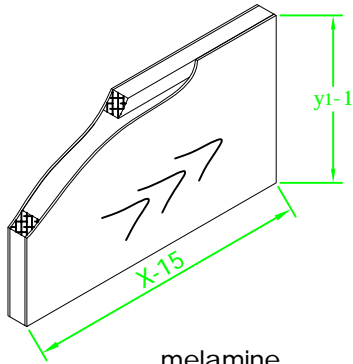


unit: mm

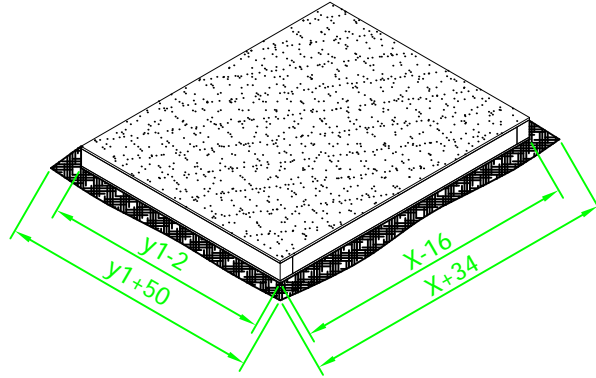
Name	Code	Size	Diagram
top cover	C60.DFB.01	X-24	
top bar	C60.DG.01	X-24	
mid bar A	C60.FGZG.01	X-24	
bottom bar	C60.XG.01	X-24	
cable bar(up)	C60.XCSG.01	X-24	
cable bar (down)	C60.XCXG.01	X-24	
cable hook holder	C50.TYXCGJGJ.01	X-44	
big mid bar	C60.DXCZG.01	X-24	
cable channel	320.XCB.01	X-24	
T3 cable channel	T3.XCB.01	X-25	

Name	Code	Size	Diagram
A pole	C60.AZ.01	Y-31	
side cover	C50.CFB.01	Y-31	
corner pole	C60.FZ.01	Y-31	
60&30 corner pole	C60.60+30LJZ.01	Y-26	
double glass groove	C60.XDBLC.01	y1-10	
double glass groove	C60.XDBLC.01	X-24	
75 hanging rail	C60.75GCB.01	X-15	

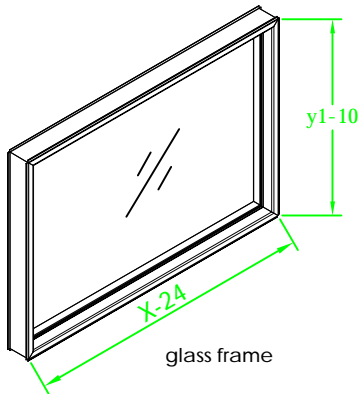
II. Material details (C60)



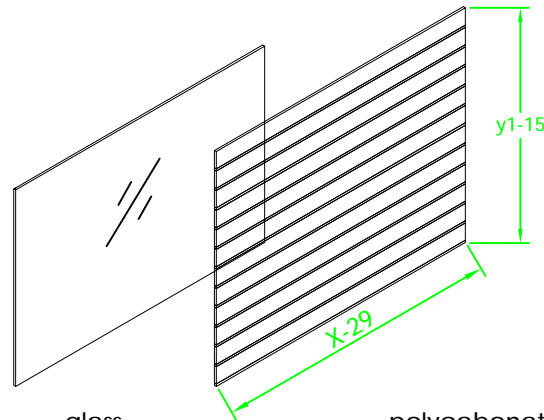
melamine



board with fabric

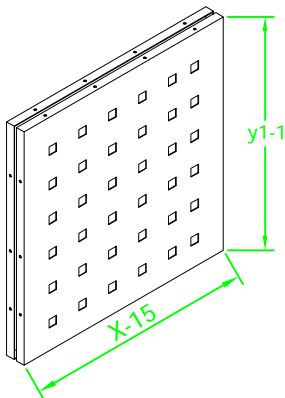


glass frame

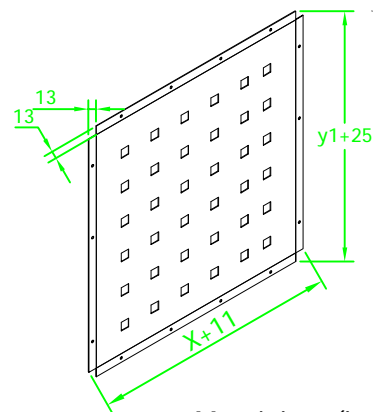


glass

polycarbonate



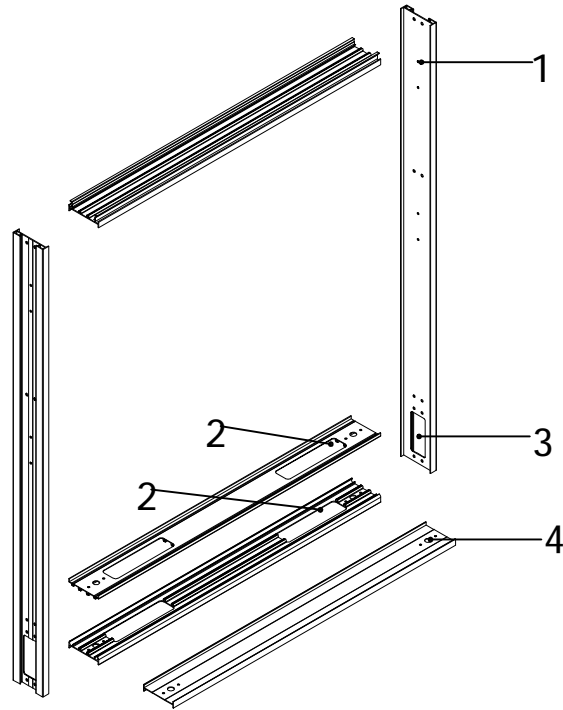
Metal block(except C20)



Metal sheet(before bent)

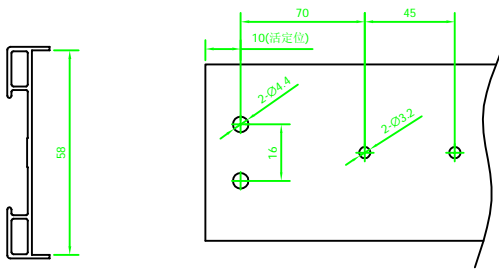
III. Block thickness C60=58mm

Holes punching

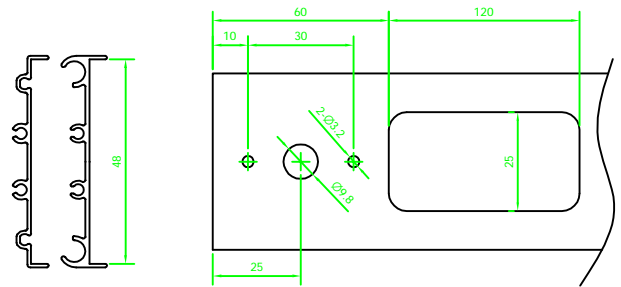


1:Mould for panel connector&top bar holes on A pole

2:Mould for wire&adjustor holes on cable bar(down)



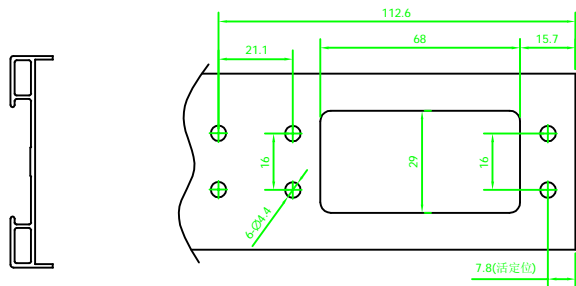
C60 A pole



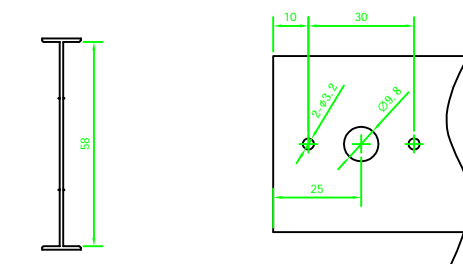
C60 cable bar
(up and down)

3:Mould for wire to T3 cable channel holes on A pole

4:Mould for adjustor holes on bottom bar



C60 A pole



C60 bottom bar